

BeBa-26039 ~ BeBa-26054  
BeBa-26750 ~ BeBa-26765

The micro protective layer formed during its application will make the water bead along the glass for easy maintenance.

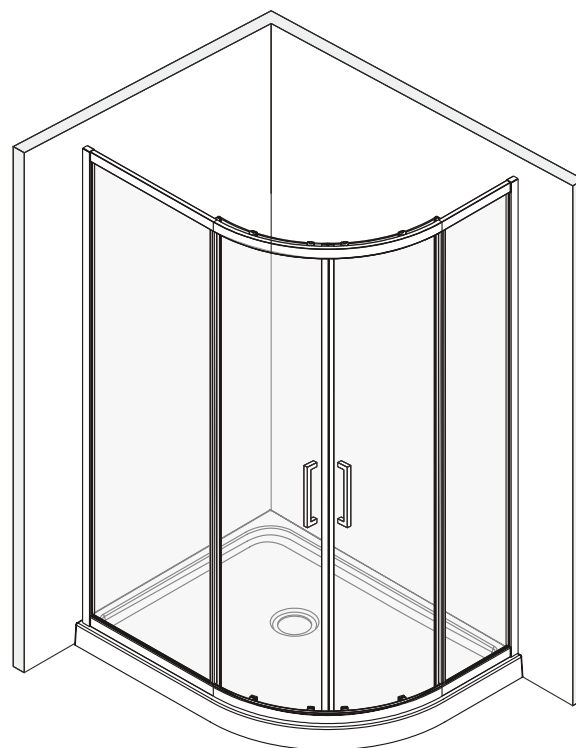
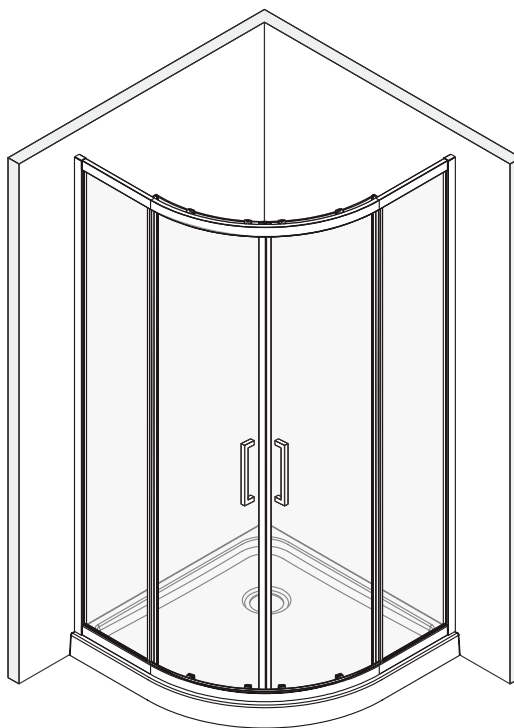
We recommend cleaning the door with the squeegee after each use.

#### THE MAINTENANCE OF YOUR SHOWER

Never use powder or scouring pads. Simply clean the door with a solution of water and vinegar, 1 to 5. You can use a mild detergent but never use ammoniac, it could damage the glass surface.

#### REVERSIBLE DOOR

Les instructions montr é s au manuel sont pour le montage de la porte droite.  
The instructions shown in the manual is for the installation of the right door.



## INSTALLATION MANUAL

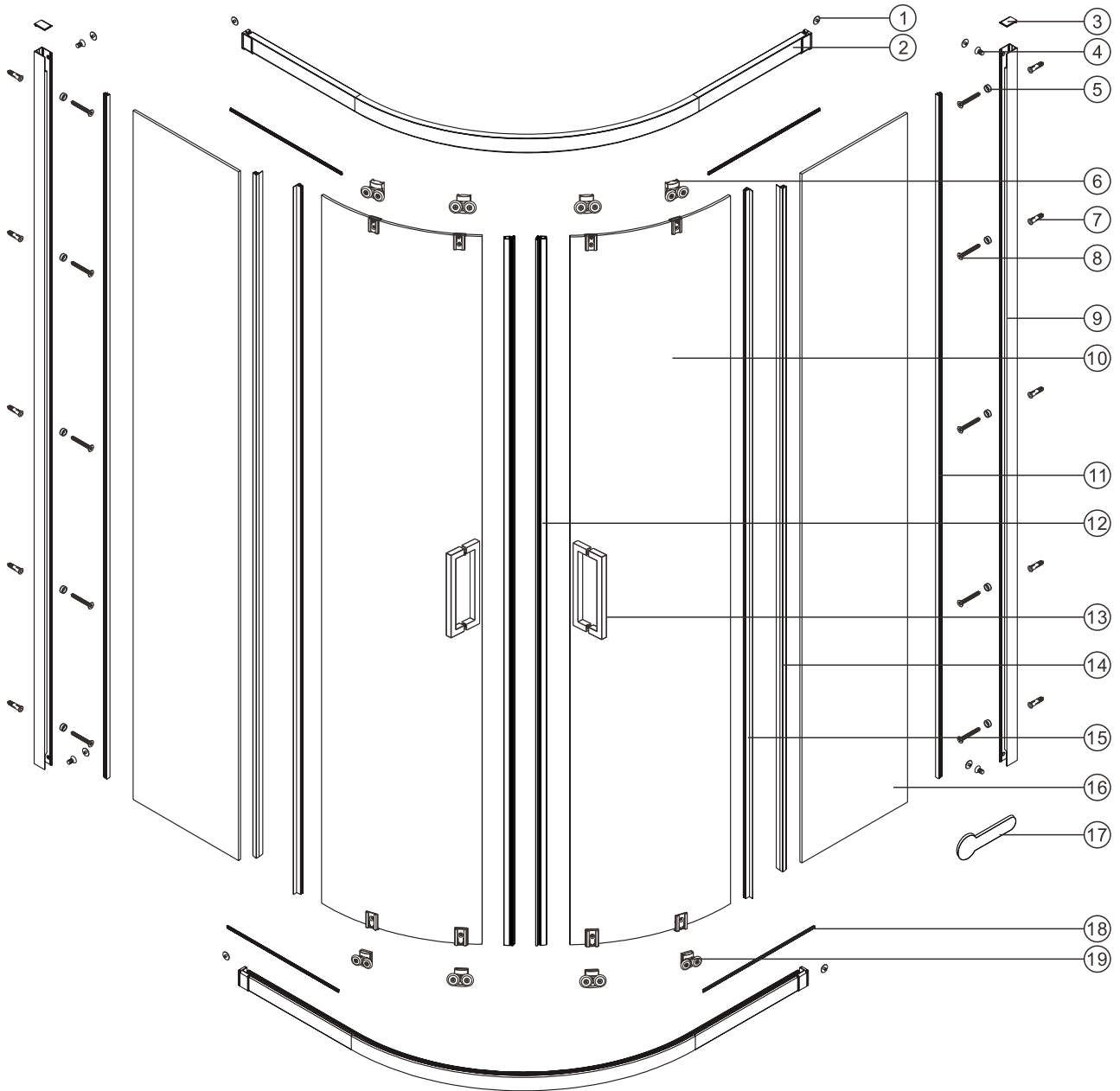
### IMPORTANT

- Thoroughly inspect your product before proceeding with the installation.
- The warranty will be void if the product is installed with a conspicuous defect.
- Before commencing drilling please check that no pipes or cables can be damaged.
- As part of the installation process the shower tray must be tiled down onto, not behind.

### CAUTION

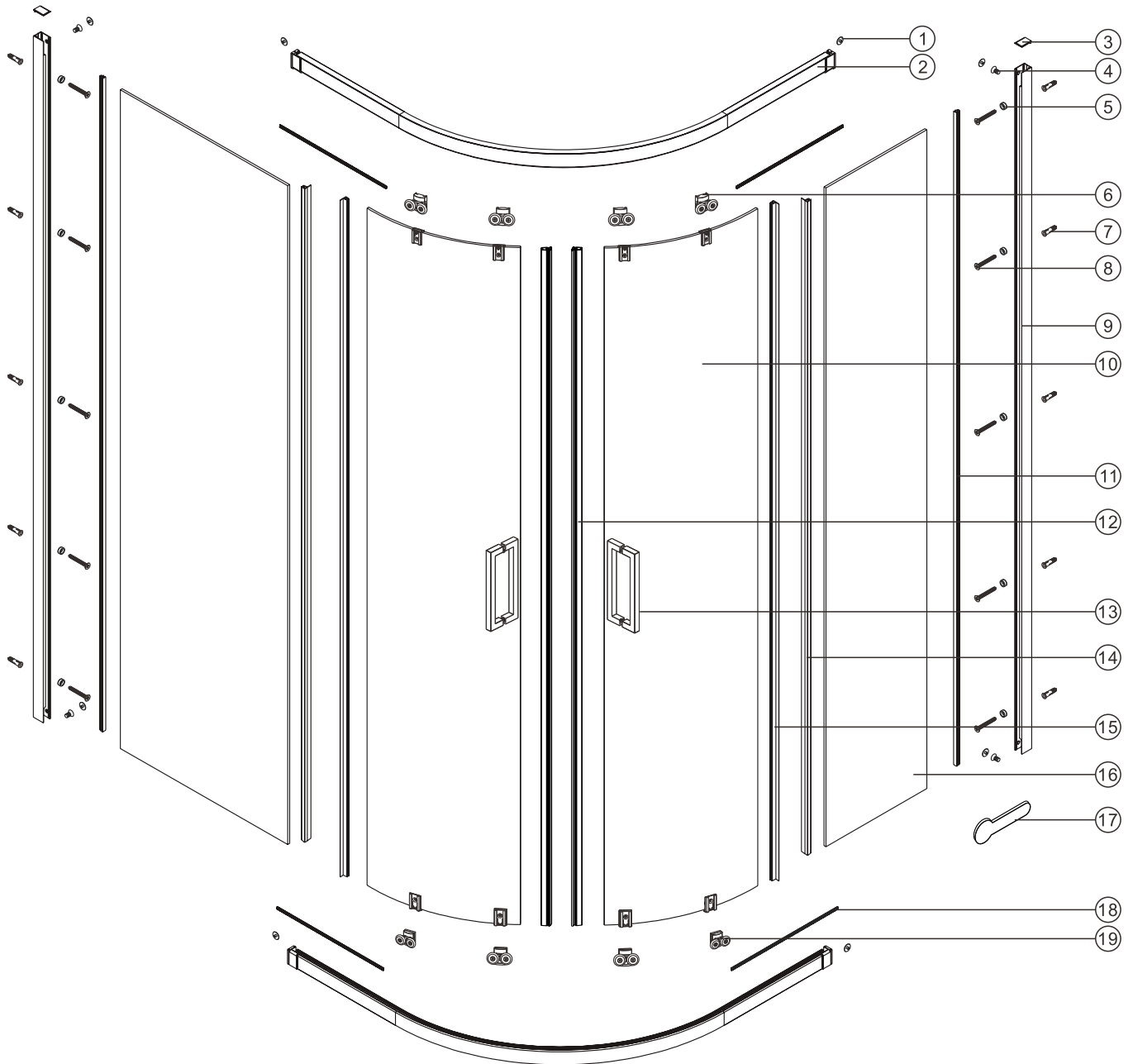
- To prevent leaks, silicone must be applied on the outside of the shower and not on the inside!
- Read all instructions carefully before starting the installation.
- Save this manual for future reference.

# PARTS LIST



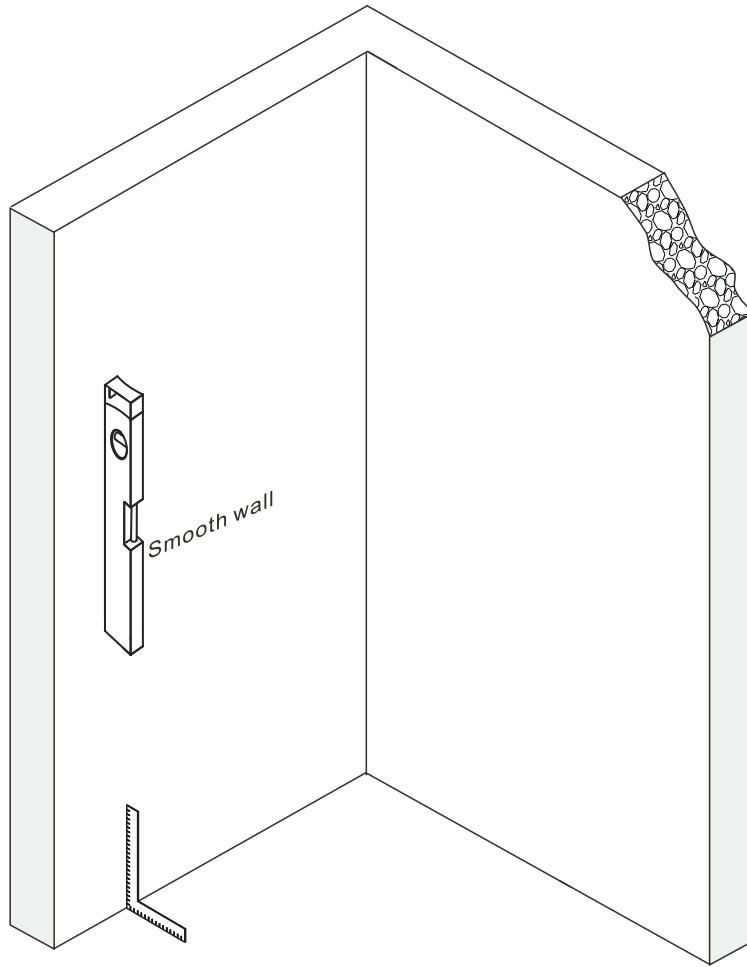
NO	Qty	Description	NO	Qty	Description
1	8	Screw cap	11	2	Wall profile gasket
2	2	Rail	12	2	Magnet seal
3	2	Profile cap	13	2	Handle
4	4	Screw M4x10	14	2	Water-retaining gasket 1872mm
5	10	Screw base	15	2	Water-retaining gasket 1933mm
6	4	Top roller	16	2	Fixed glass
7	10	Wall anchor	17	1	Installation tool
8	10	Screw ST4x40	18	4	Squeeze gasket
9	2	Wall profile	19	4	Bottom roller
10	2	Moving door			

# PARTS LIST

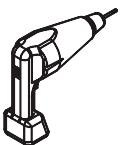


NO	Qty	Description	NO	Qty	Description
1	8	Screw cap	11	2	Wall profile gasket
2	2	Rail	12	2	Magnet seal
3	2	Profile cap	13	2	Handle
4	4	Screw M4x10	14	2	Water-retaining gasket 1872mm
5	10	Screw base	15	2	Water-retaining gasket 1933mm
6	4	Top roller	16	2	Fixed glass
7	10	Wall anchor	17	1	Installation tool
8	10	Screw ST4x40	18	4	Squeeze gasket
9	2	Wall profile	19	4	Bottom roller
10	2	Moving door			

# PREPARATION



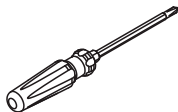
## TOOLS AND MATERIALS REQUIRED



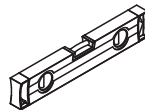
PERCEUSE  
DRILL



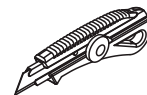
VIS  
SCREWS



TOURNEVIS  
SCREWDR



NIVEAU  
LEVEL



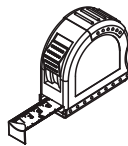
COUTEAU DE PRECISION  
PRECISION KNIFE



SILICONE  
SILICONE



FORETS: 1/8", 3/16" ET 1/4"  
\*FORET À MAÇONNERIE  
DRILL BITS: 1/8", 3/16" ET 1/4"  
\*MASONRY DRILL BIT



RUBAN À MESURER  
MEASURING TAPE



ÉQUERRE  
SET SQUARE



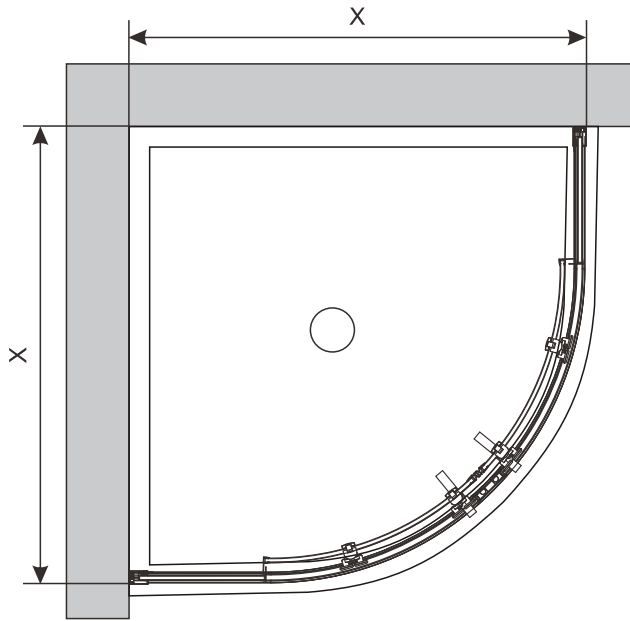
CRAYON  
PENCIL



MAILLET  
MALLET

# CONTINUED

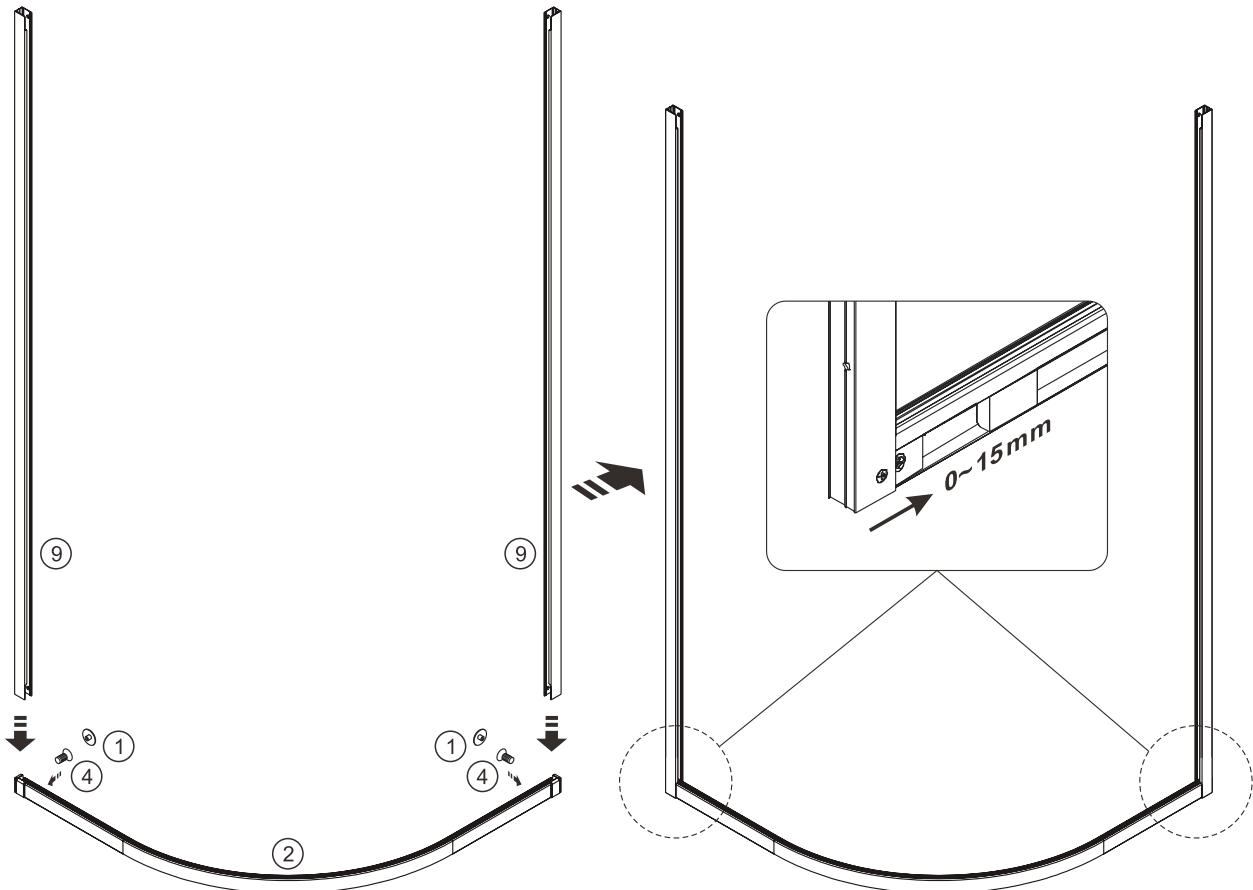
**A** 01



Size	X,mm
800	765 ~ 780
900	865 ~ 880
1000	965 ~ 980

# CONTINUED

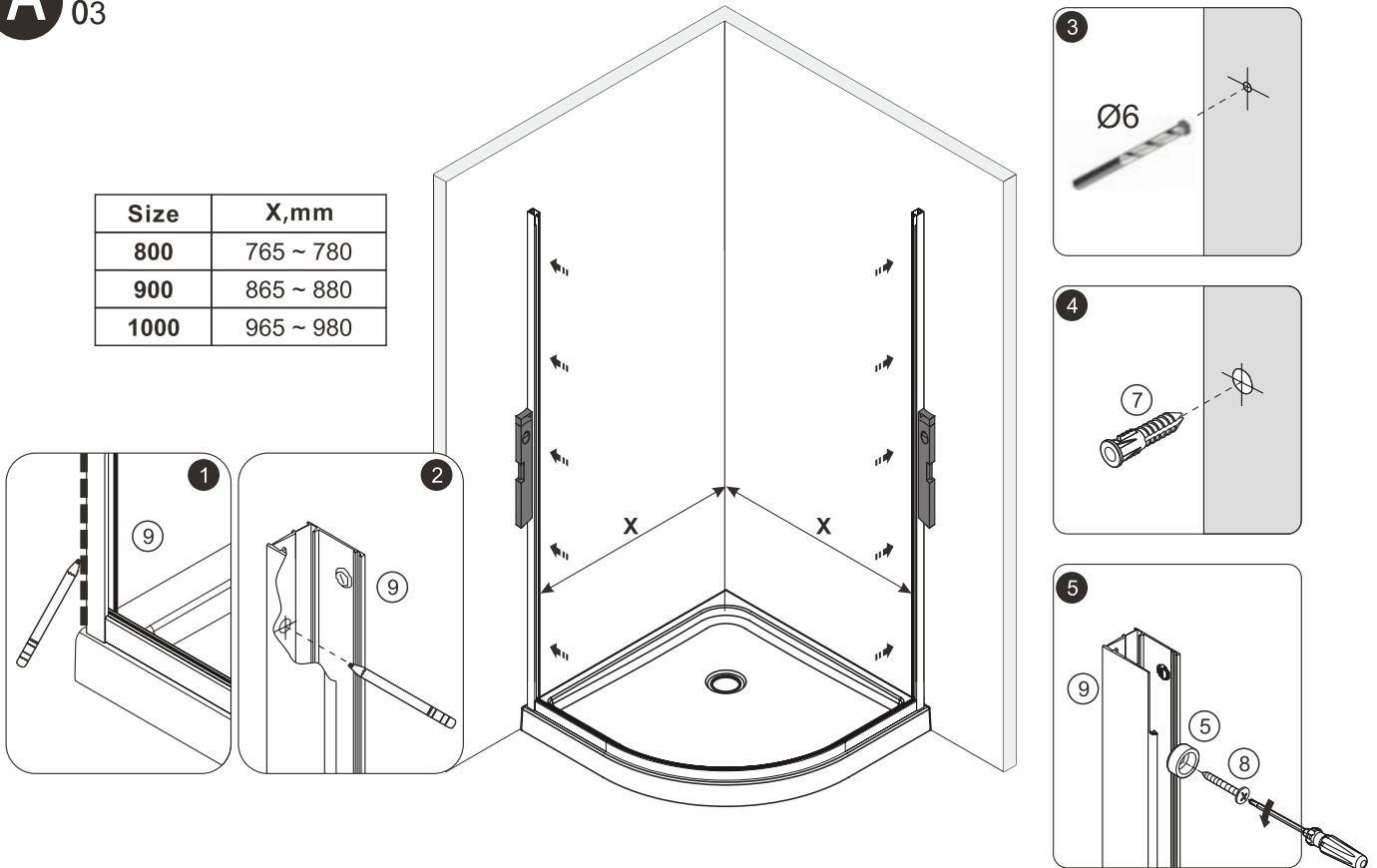
**A** 02



# CONTINUED

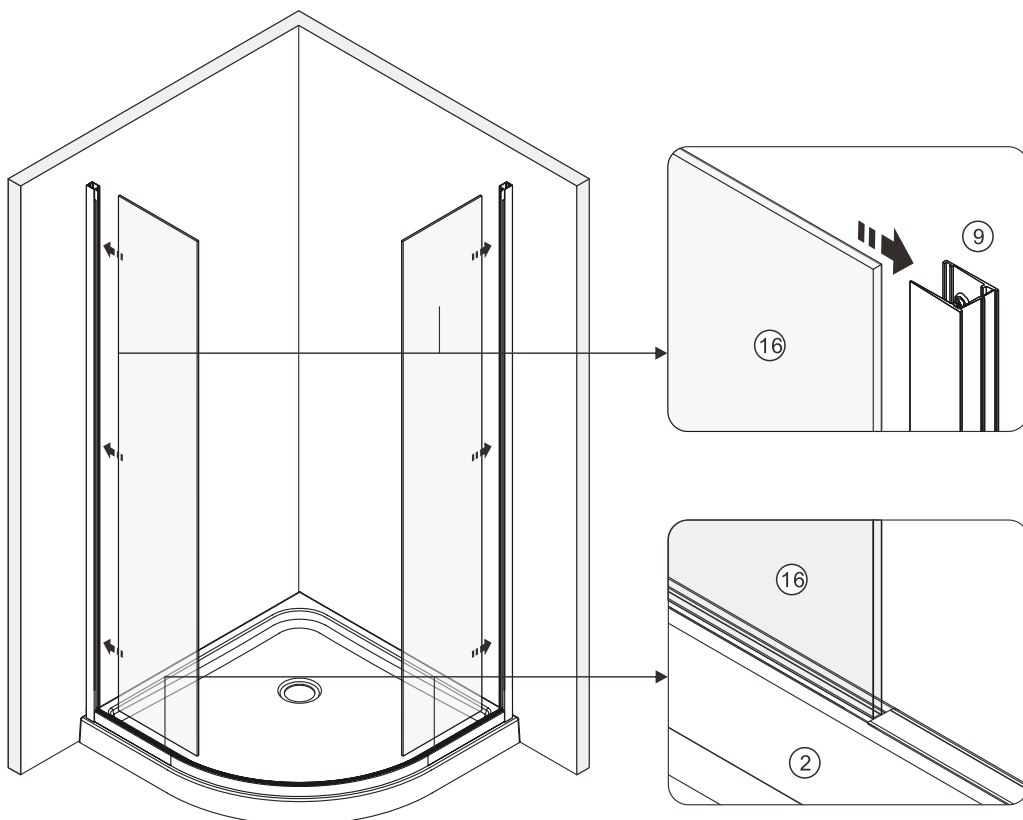
**A** 03

Size	X,mm
800	765 ~ 780
900	865 ~ 880
1000	965 ~ 980



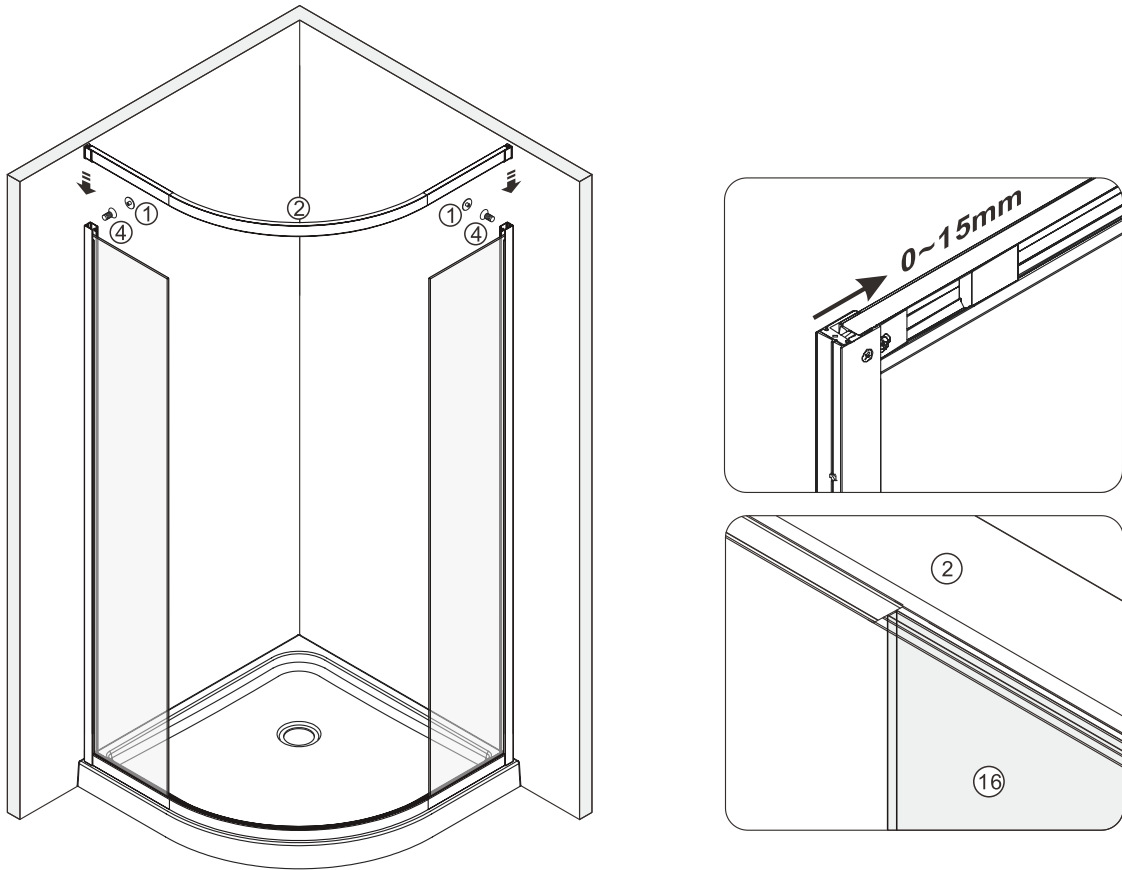
# CONTINUED

**A** 04



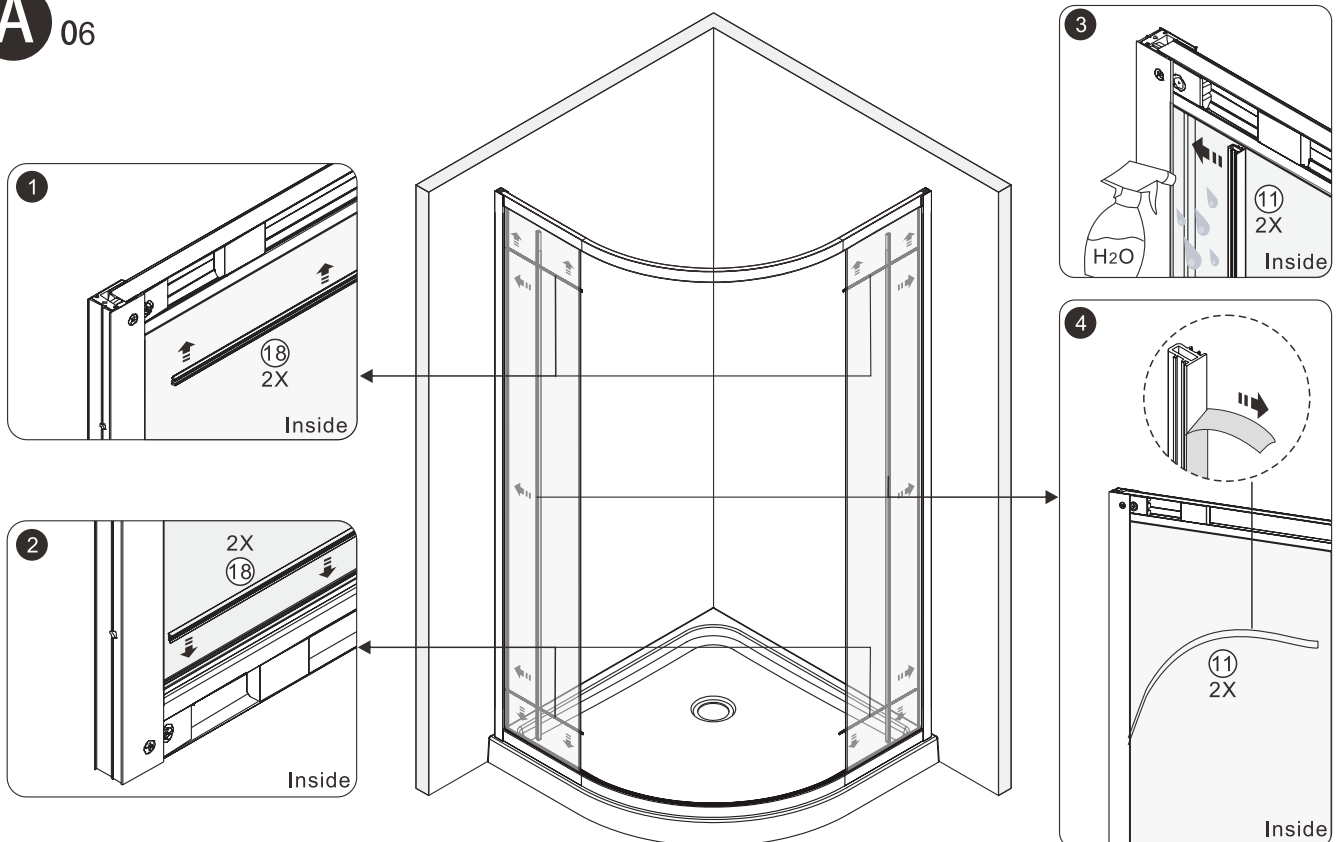
# CONTINUED

**A** 05



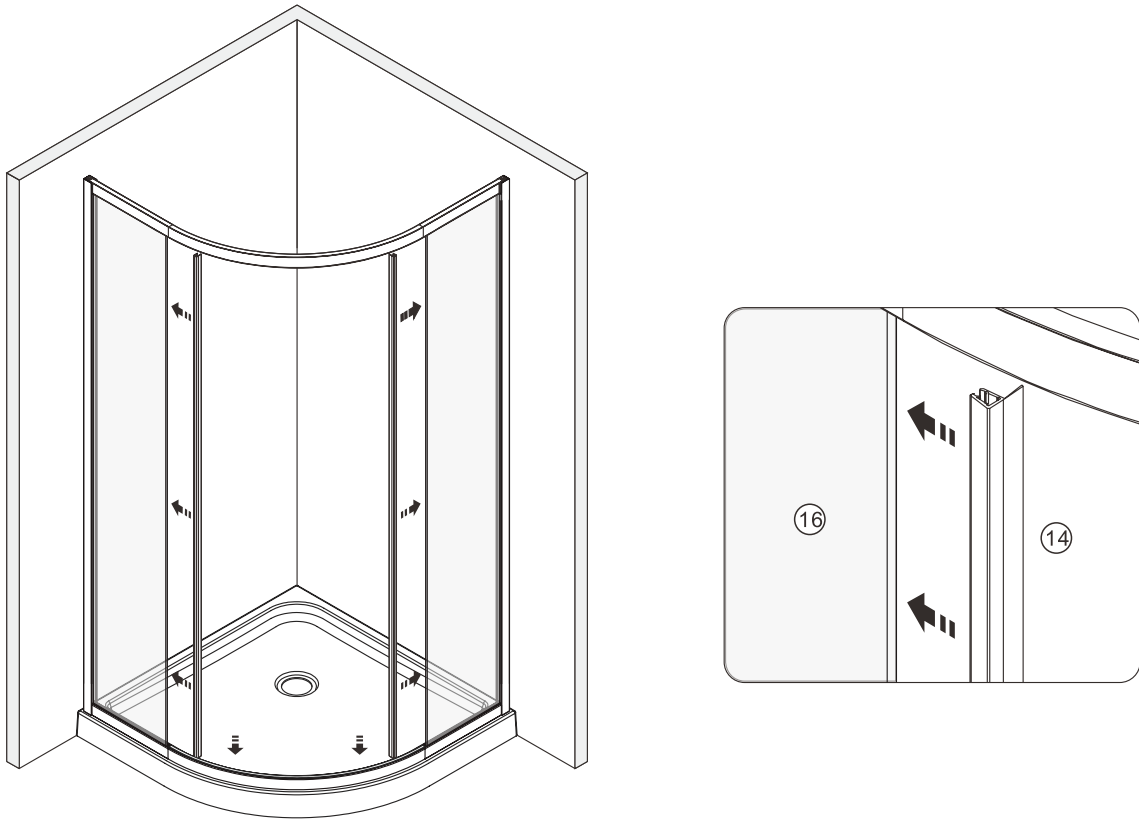
# CONTINUED

**A** 06



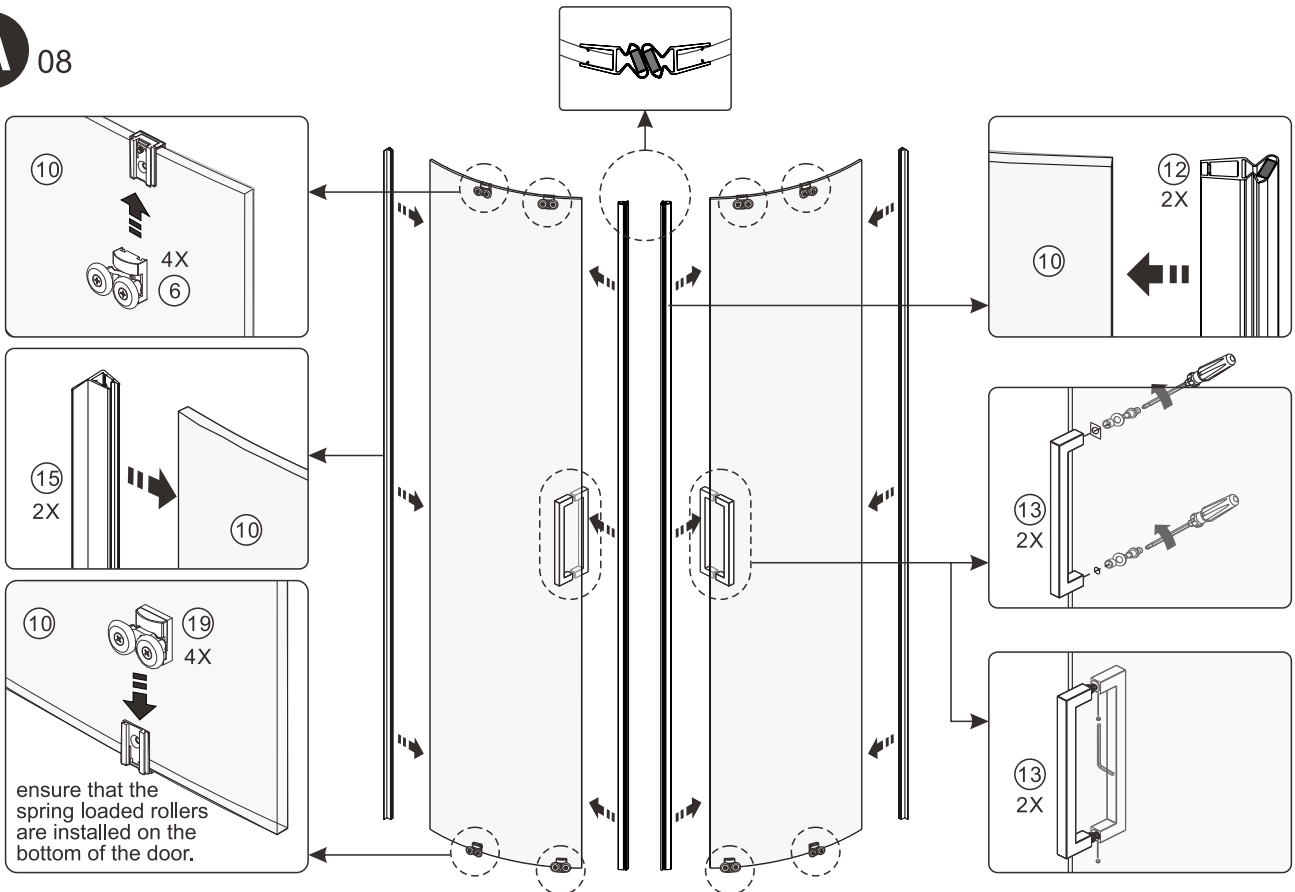
# CONTINUED

**A** 07



# CONTINUED

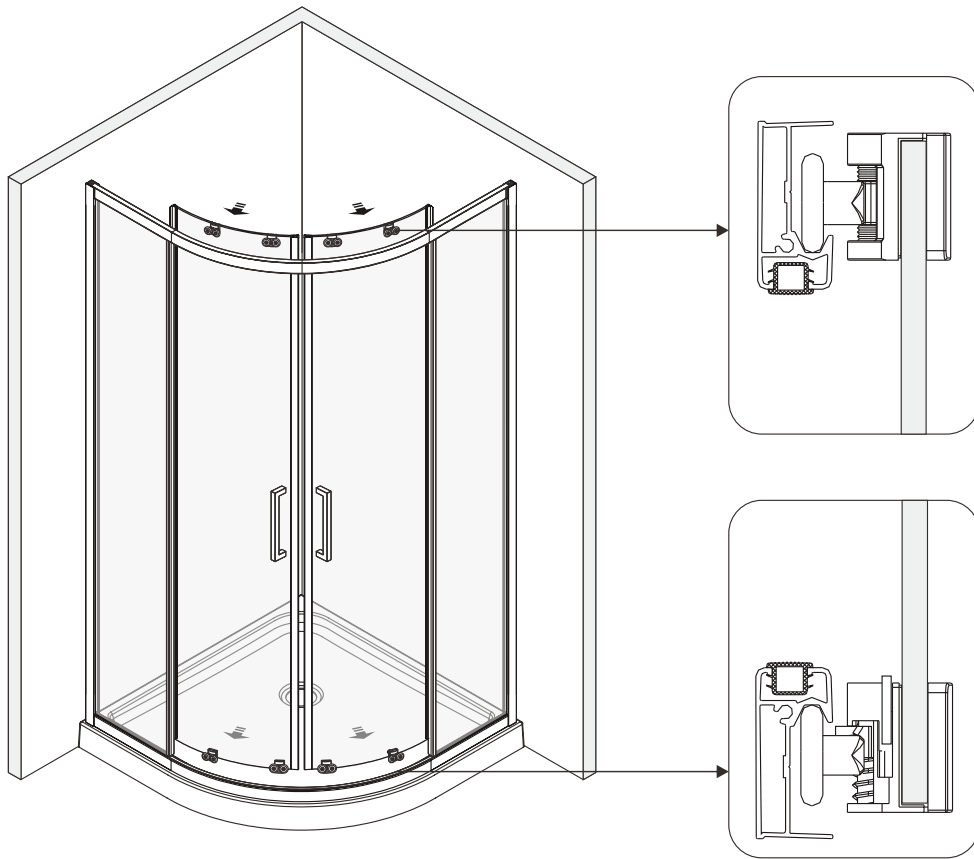
**A** 08





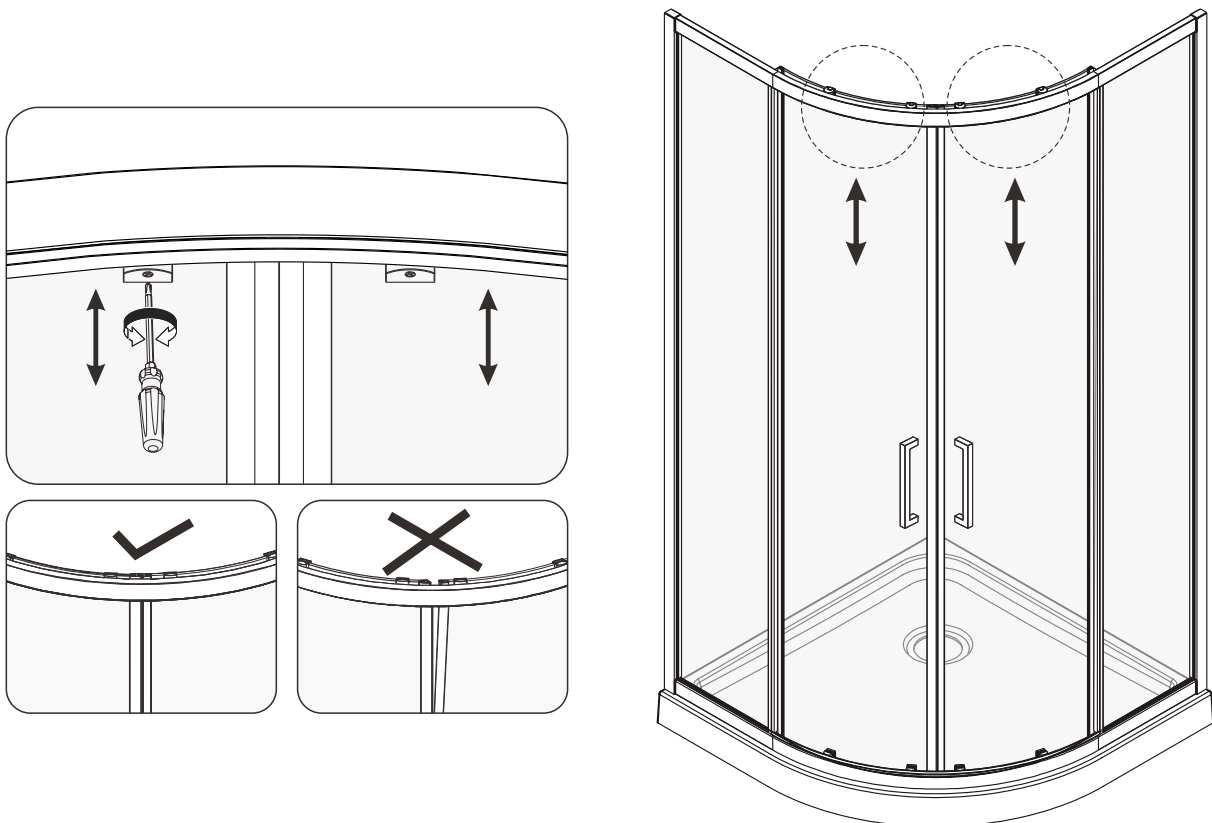
CONTINUED

A 09

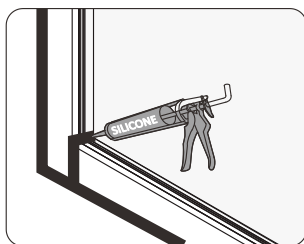
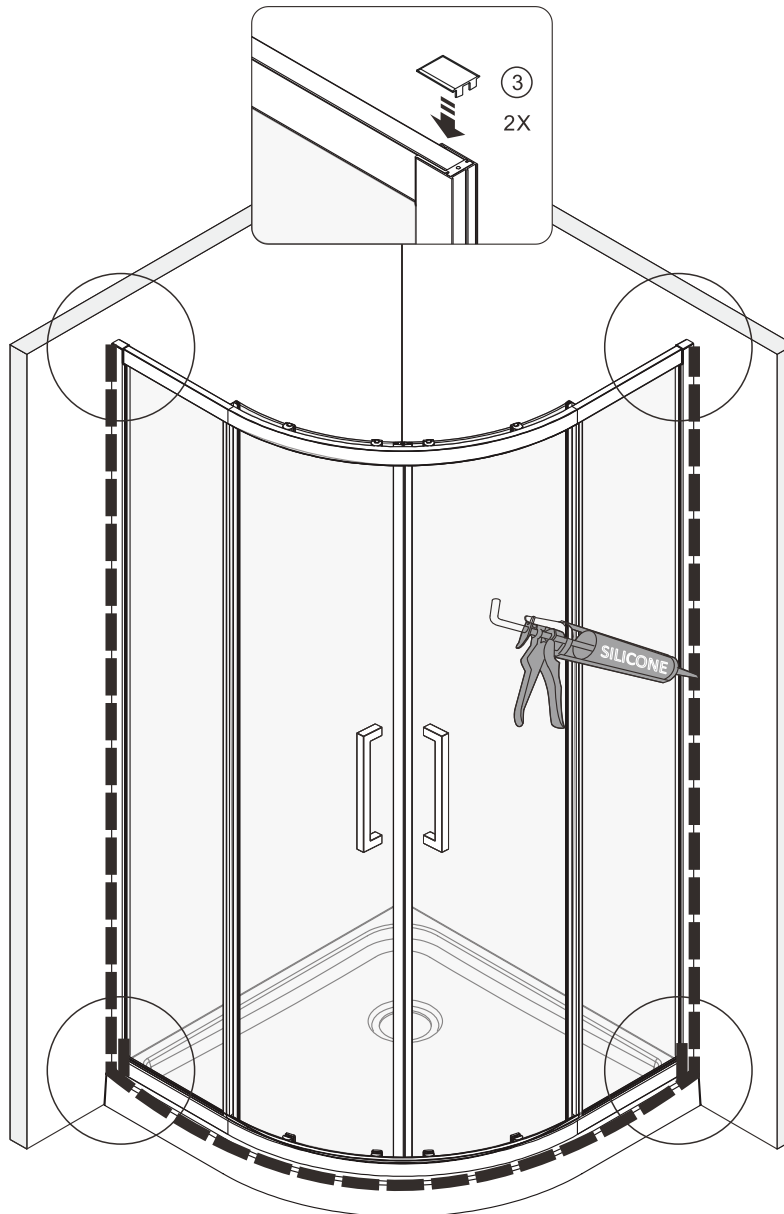
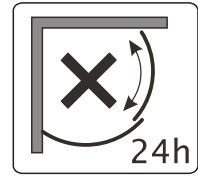
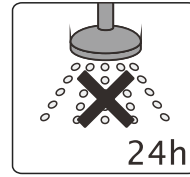


CONTINUED

A 10

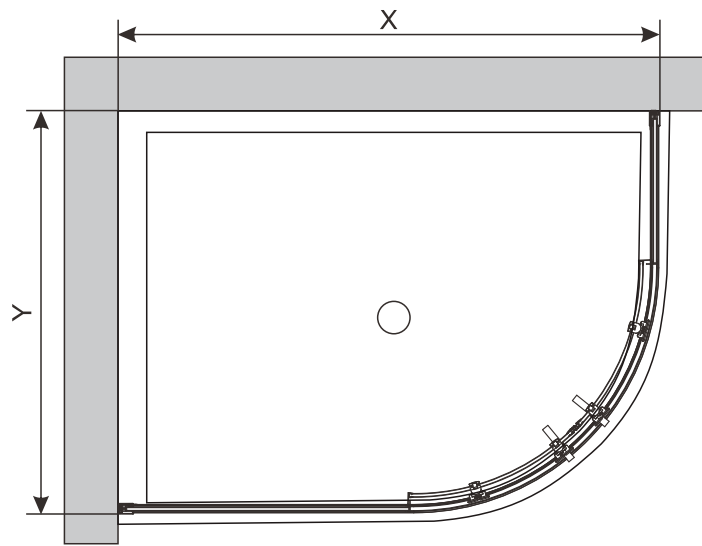


A 11



# CONTINUED

**B** 01

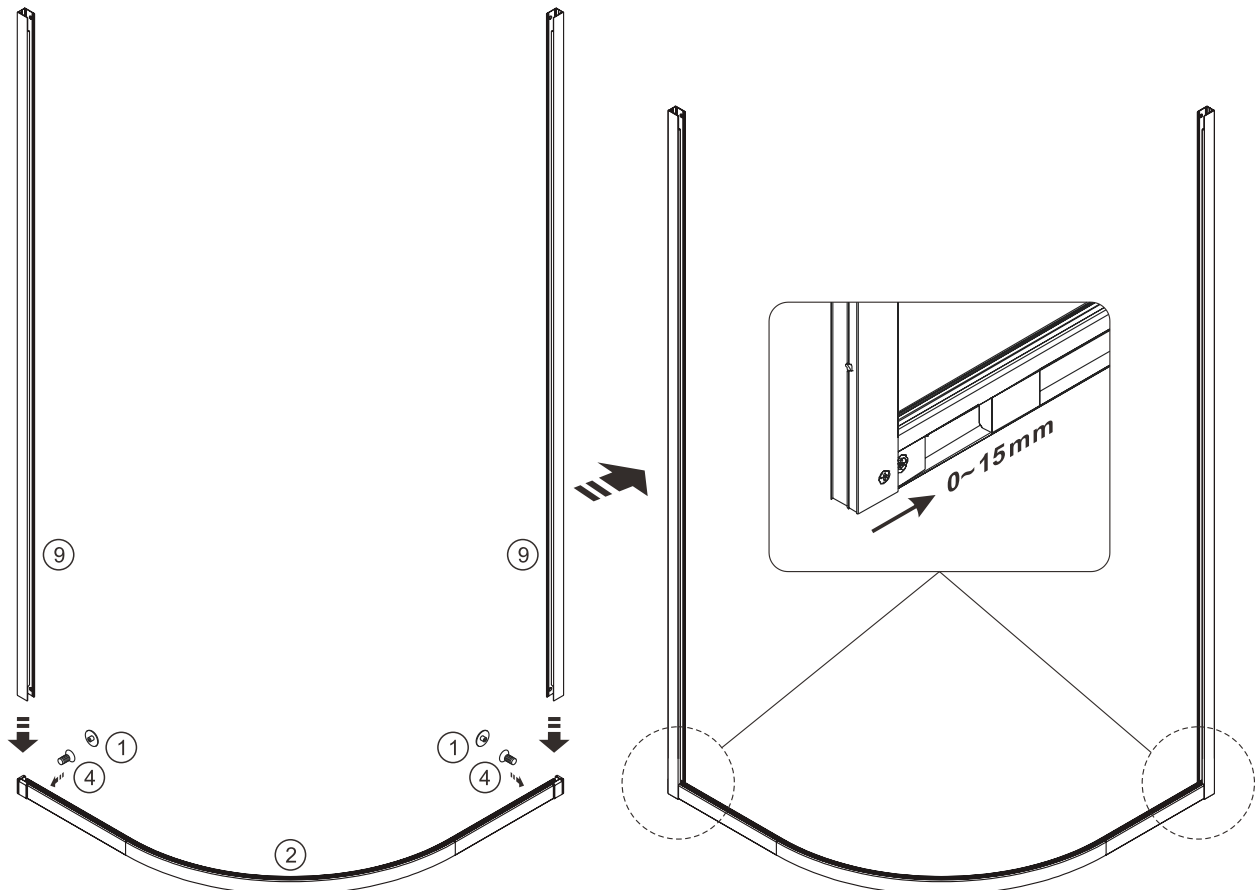


Size	X,mm
900	865 ~ 880
1000	965 ~ 980
1200	1165 ~ 1180

Size	Y,mm
760	725 ~ 740
800	765 ~ 780
900	865 ~ 880

# CONTINUED

**B** 02

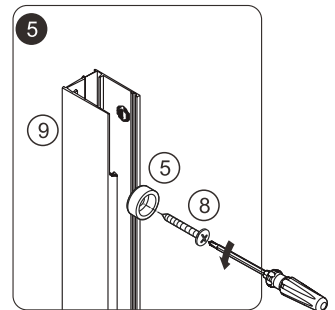
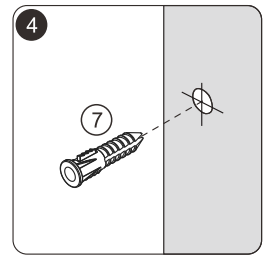
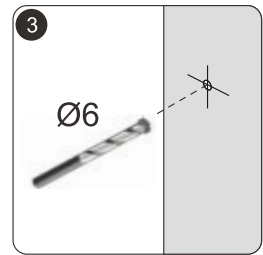
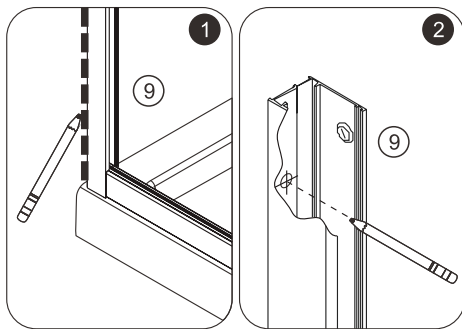


# CONTINUED

**B** 03

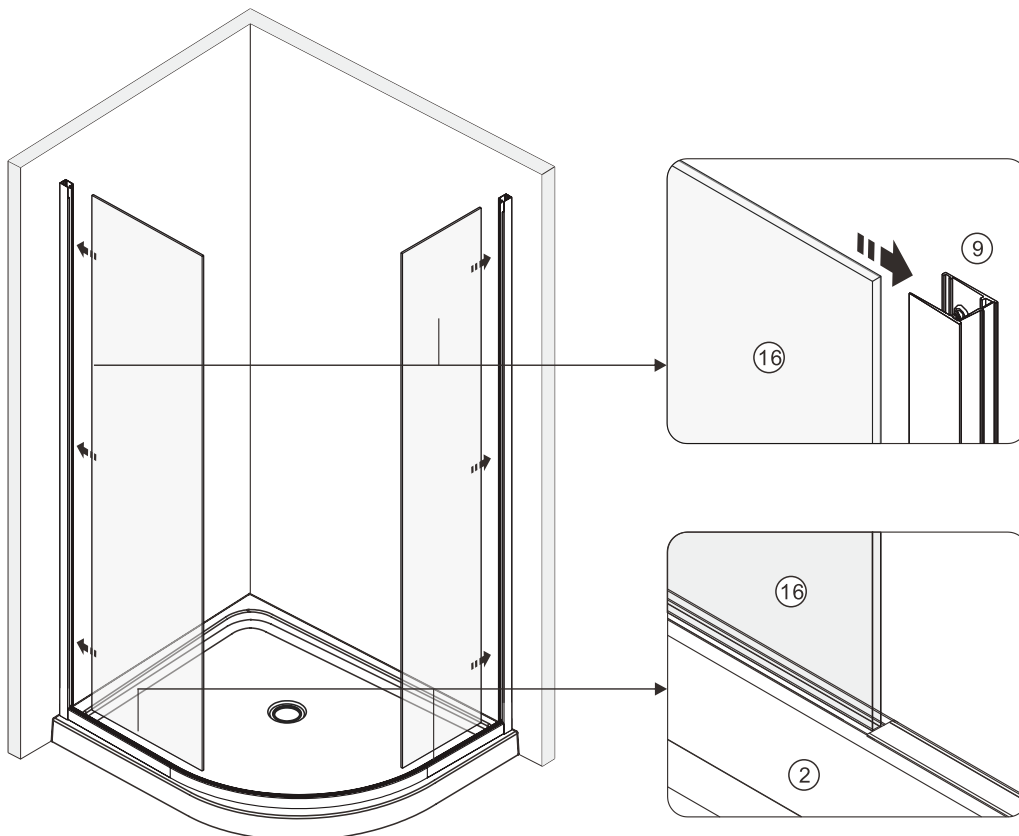
Size	X,mm
900	865 ~ 880
1000	965 ~ 980
1200	1165 ~ 1180

Size	Y,mm
760	725 ~ 740
800	765 ~ 780
900	865 ~ 880



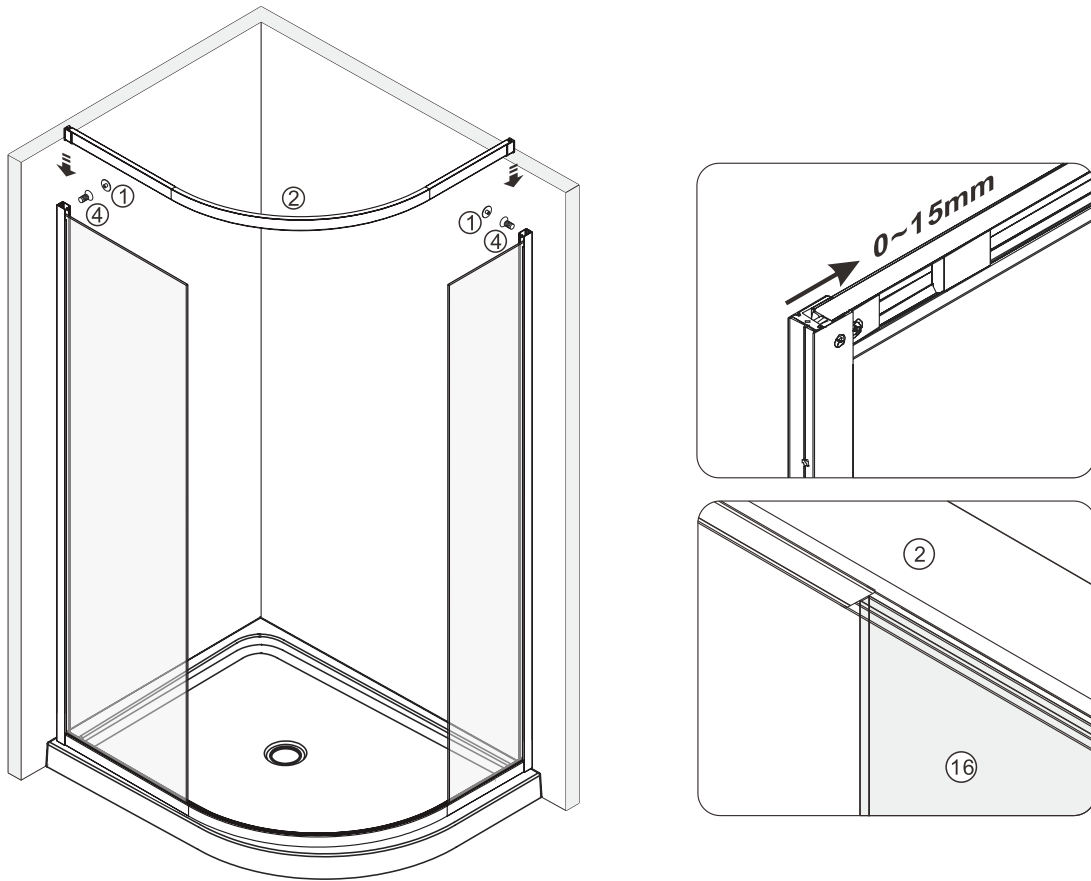
# CONTINUED

**B** 04



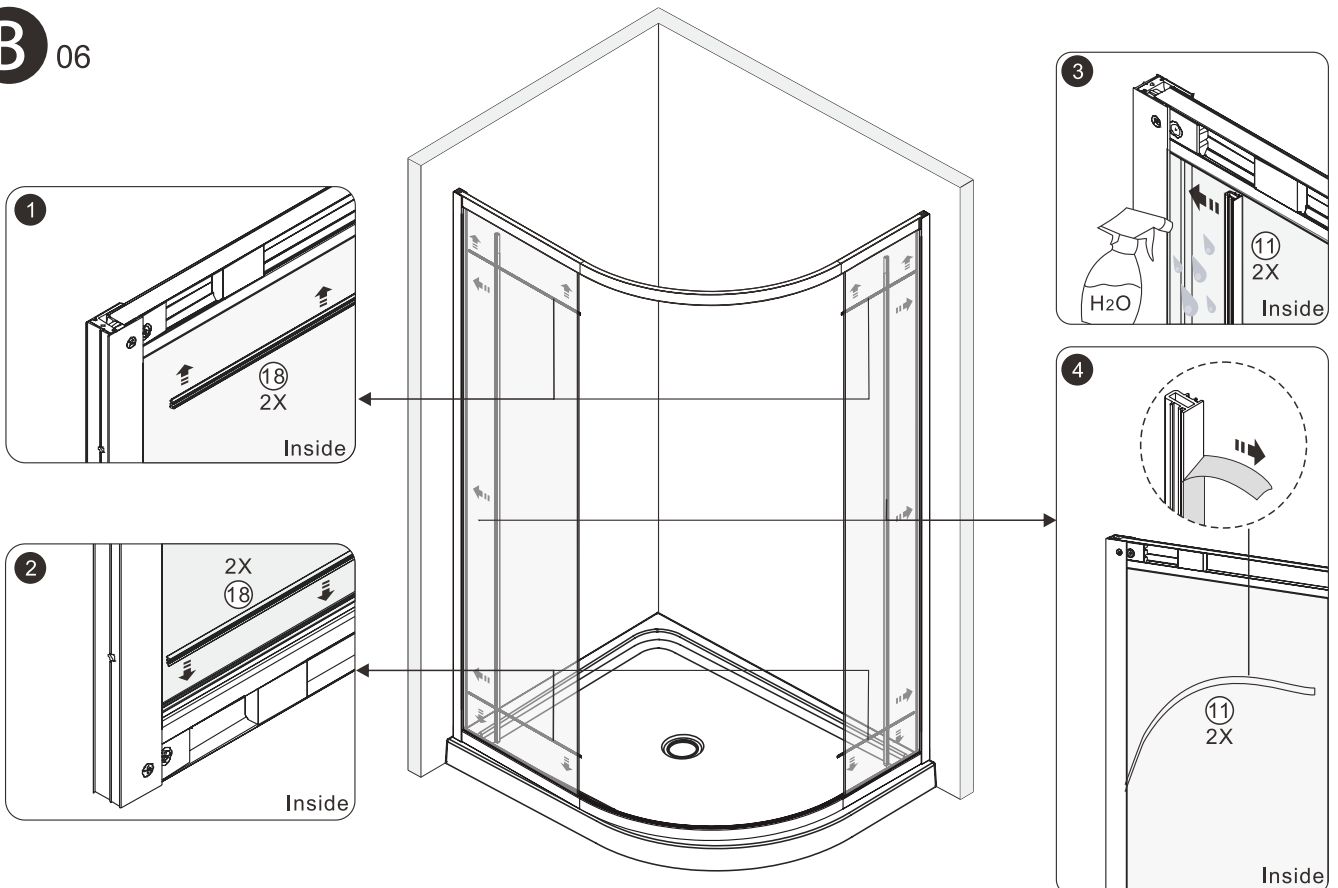
CONTINUED

**B** 05



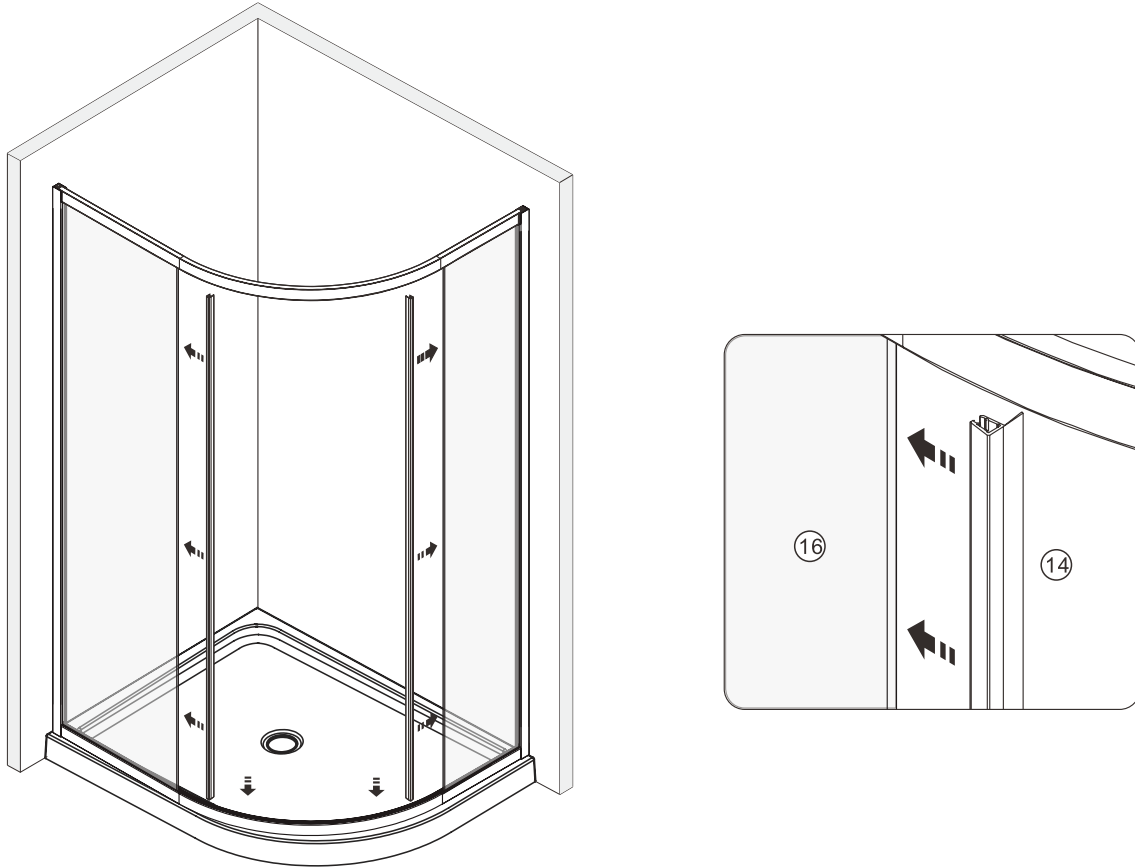
CONTINUED

**B** 06



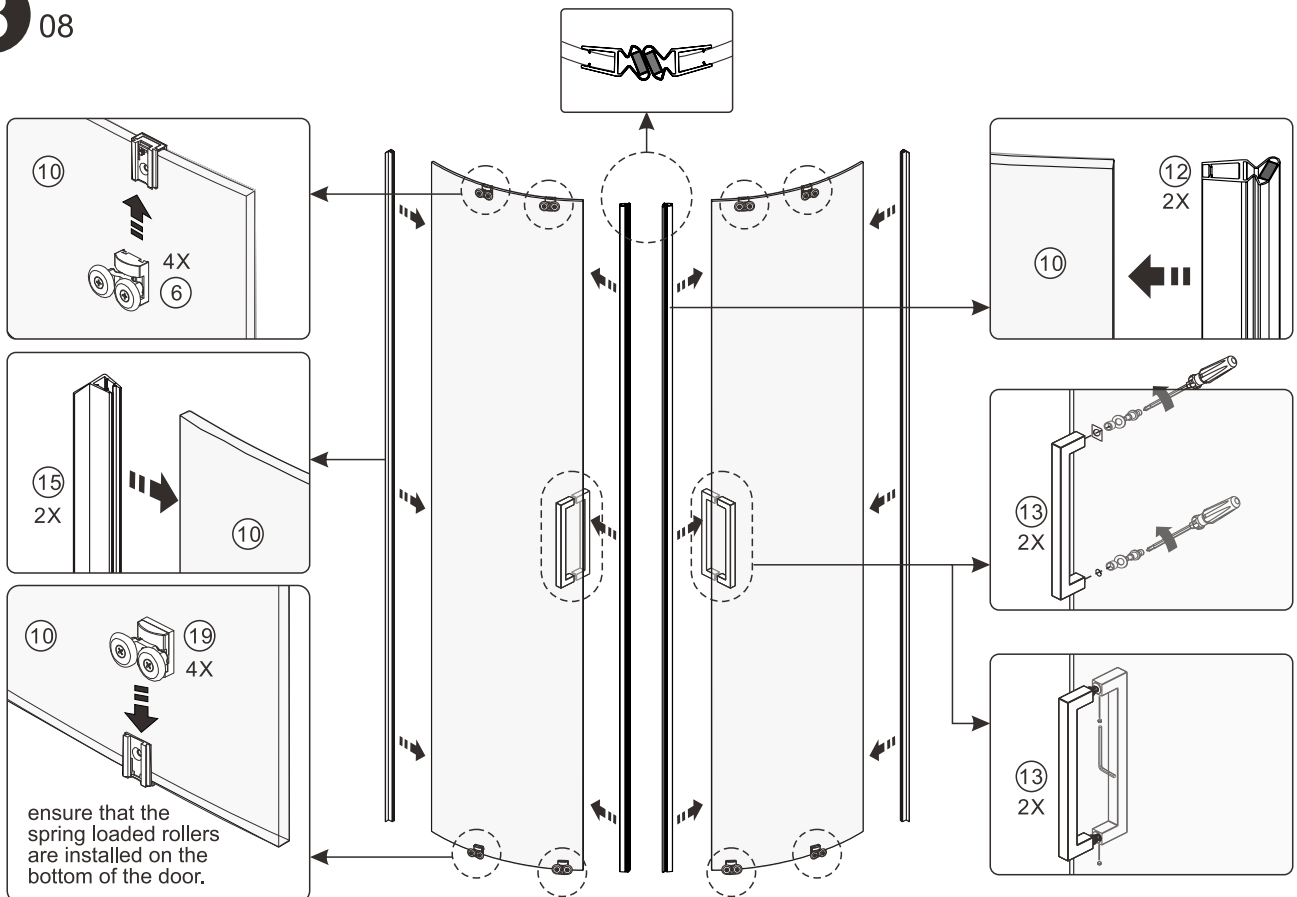
# CONTINUED

**B** 07



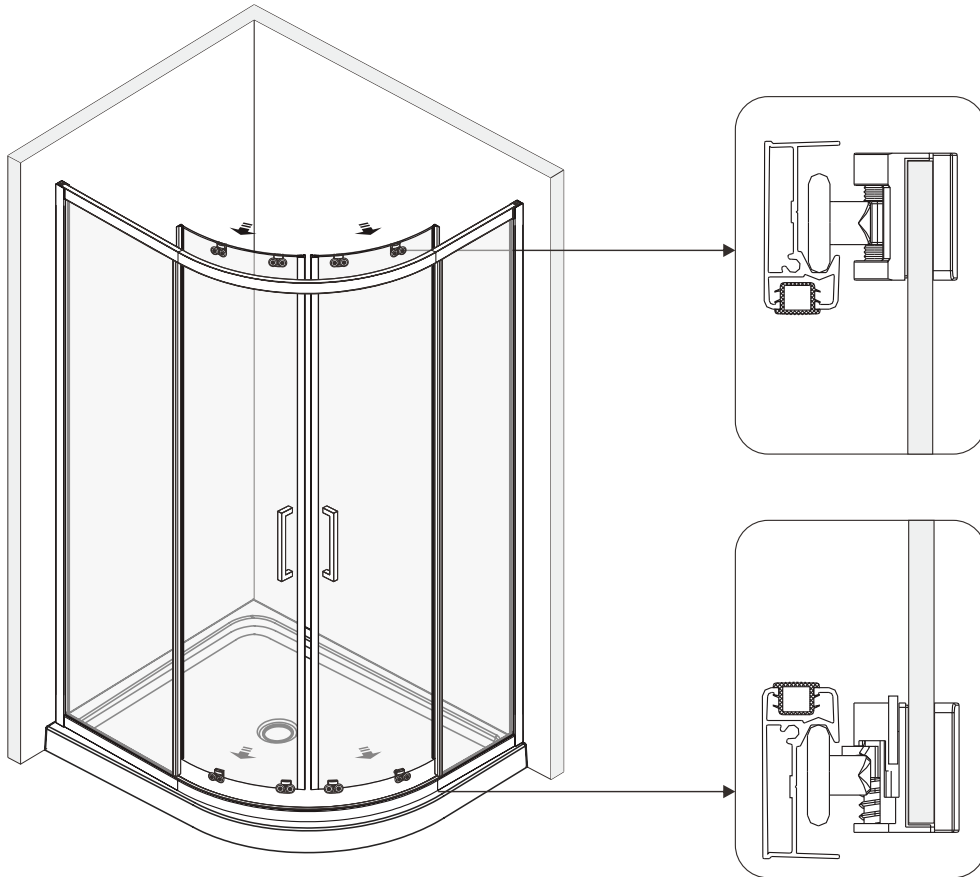
# CONTINUED

**B** 08



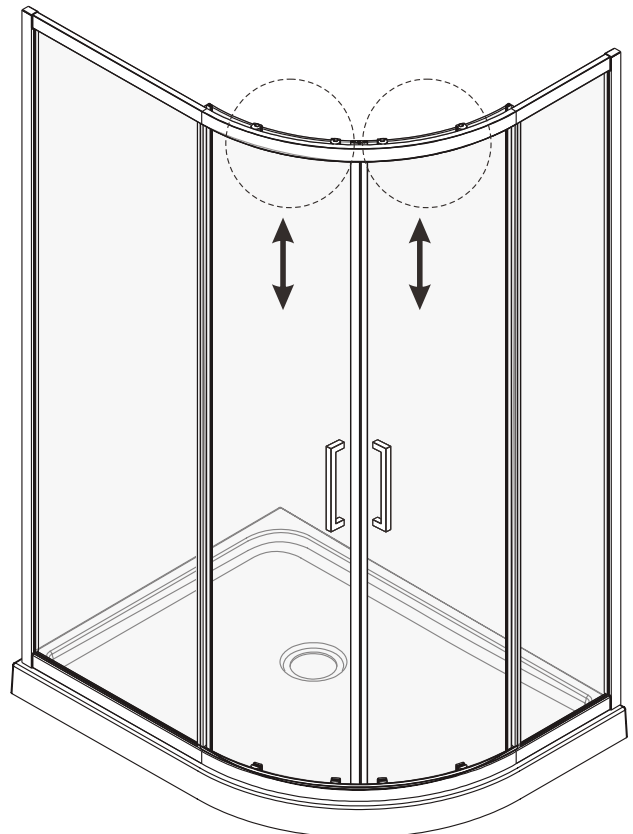
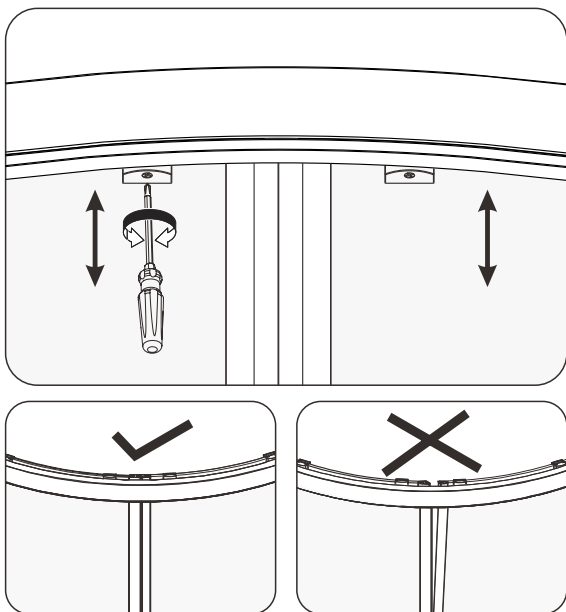
CONTINUED

**B** 09



CONTINUED

**B** 10



**B** 11

