

# electric

## USER MANUAL



### GAS PATIO HEATER

EQODHFTSS  
EQODHFTBL

STAINLESS STEEL  
BLACK

WARNING: FOR OUTDOOR USE ONLY OR IN WELL VENTILATED AREAS  
PLEASE KEEP THE MANUAL FOR FUTURE REFERENCE

# CONTENTS

SAFETY	3
PARTS LIST	5
ASSEMBLY	7
OPERATION	11
LEAK TESTING	12
GAS INFORMATION	12
MAINTENANCE	13
STORAGE	13
TROUBLESHOOTING	14
TECHNICAL SPECIFICATIONS	15
SUPPORT	15

# IMPORTANT SAFETY INFORMATION

Please read this user manual before using this heater and keep it safe for future reference.

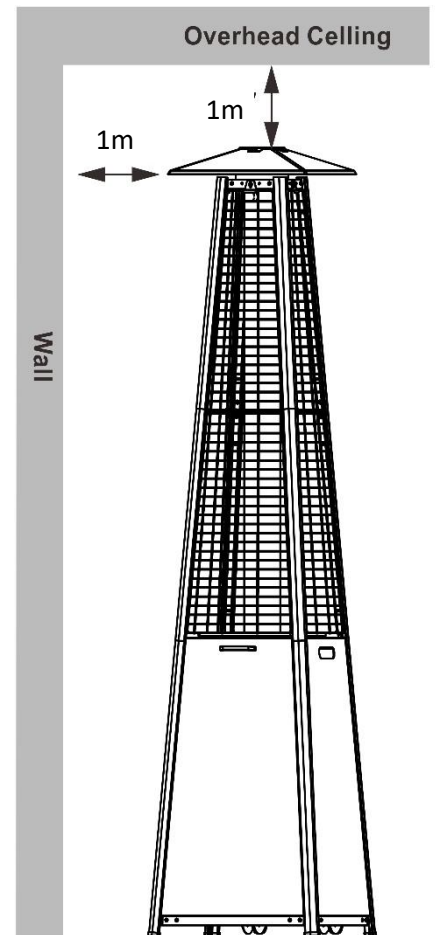
- Read the following instructions carefully and be sure your patio heater is properly installed, assembled and cared for. Retain the instructions for future reference.
- Failure to follow these instructions may result in serious bodily injury and/or property damage.
- **WARNING - Risk of Suffocation!** Gas heaters must be used outdoors and must not be used in enclosed areas such as sheds or marquees!
- Read the instruction manual before using the appliance.
- **WARNING:** Accessible parts may be very hot. Keep young children away.
- This appliance must be kept away from flammable materials during use.
- Do not move the appliance during use.
- The appliance should be secured to the ground when in use.
- Turn off the gas supply at the gas cylinder after use.
- Do not modify this appliance.
- If you have any questions concerning assembly or operation, consult the retailer or Bottled Gas Company.
- Always place the appliance and cylinder on flat level ground.
- Turn off the gas cylinder if gas leak is suspected.
- Parts sealed by the manufacturer must not be altered by the user. No modifications should be made to any part of this heater and repairs and maintenance should only be carried out by a registered Gas Safe service engineer.
- Use only regulator and hose approved for LP Gas at the correct pressures and gas type.
- The regulator should comply with the standard EN16129 and current regulations in the country where it is installed, which may be found at your nearest retailer of gas items.
- Refer to the technical data. It is strictly prohibited to use adjustable pressure.
- The life expectancy of the regulator is estimated as 10 years. It is recommended that the regulator is changed within 10 years of the date of manufacture or the national conditions require it.
- The type of replaceable hose should be compliant with EN16436-1.
- The hose used must conform to the relevant standard for the country of use. The length of the hose must be 0.7 meters (minimum) and 1.5 meters (maximum). A worn or damaged hose must be replaced. Ensure that the hose is not obstructed or kinked. It is recommended that the hose is changed within 1 year of the date of manufacture or as the national conditions require.

For use outdoors or in well ventilated areas.

- A well ventilated area must have a minimum of 25% of the surface area open.
- The surface area is the sum of the walls surface.
- The use of this appliance in enclosed areas can be dangerous and is PROHIBITED.
- Children and adults should be aware of the high operating temperatures of areas above the post when operating this heater. Children should be carefully supervised when in the vicinity of the heater.

**NEVER** hang anything, including clothes or any other flammable items, on this heater.

**DO NOT** operate this heater unless it is fully assembled.  
Respect the minimum clearances from combustible materials.

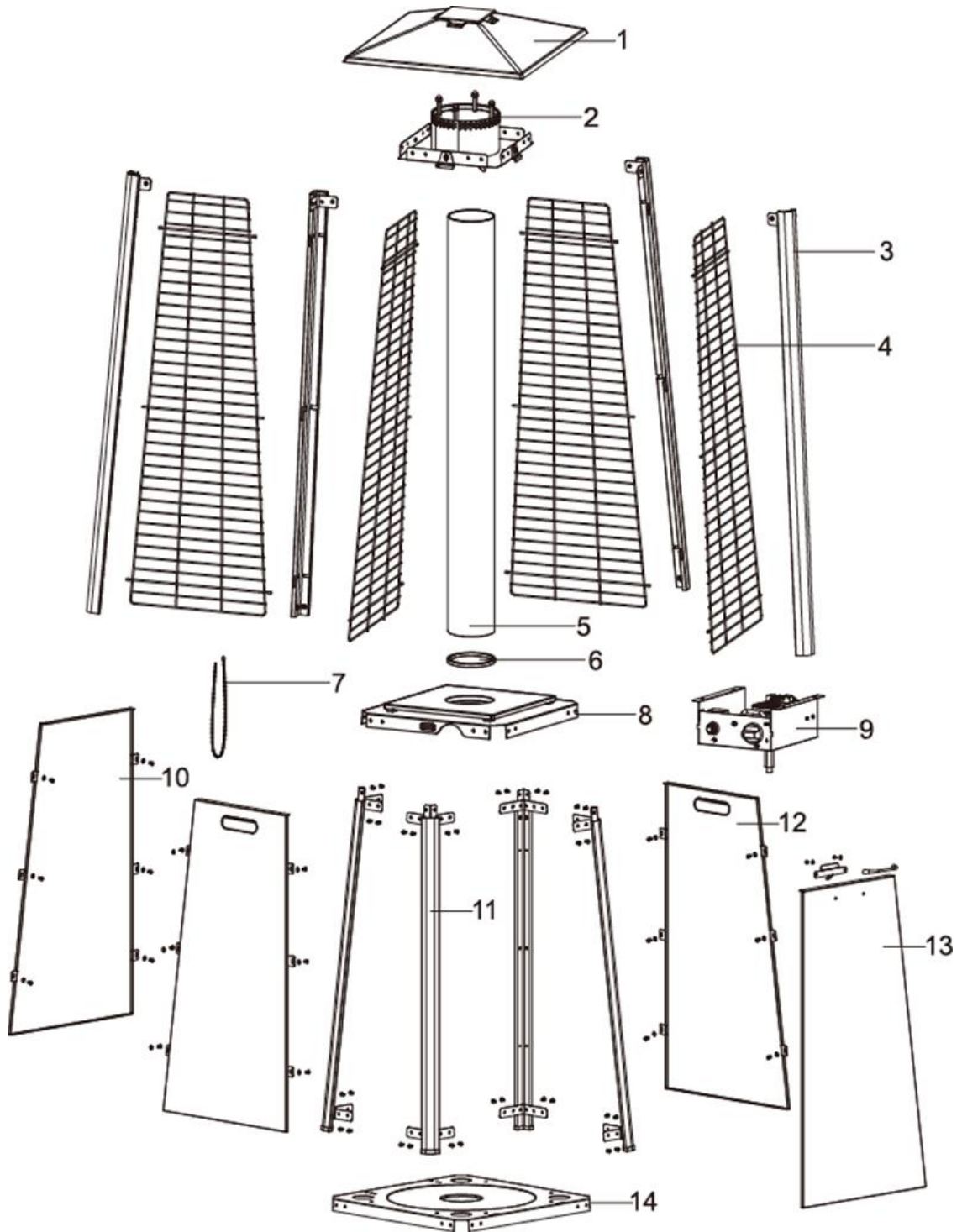



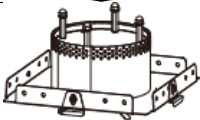

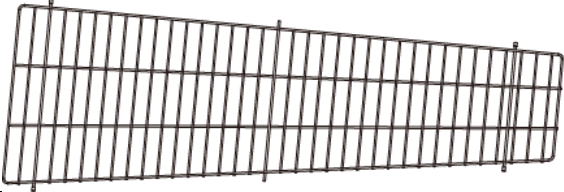




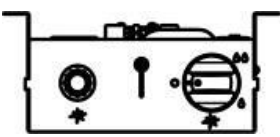
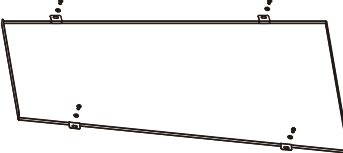

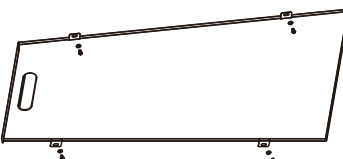
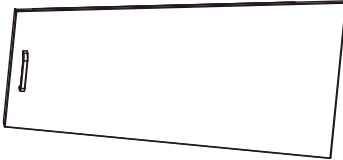
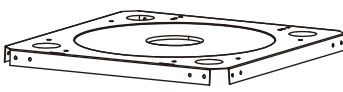
## GENERAL INFORMATION FOR SUCCESSFUL ASSEMBLY




Please read the assembly instructions carefully and follow the safety precautions. Allow sufficient time for assembly. Before starting assembly, clear an area measuring approximately two to three square meters. Remove the item from the packaging and lay out all of the parts and any necessary tools so that they are within easy reach.

Only tighten all of the screw connections firmly when you have finished assembly or are instructed to within the manual. Otherwise this can result in unwanted tension and instability.

# PRODUCT OVERVIEW AND PART LIST



PART	PART NAME	PICTURE	QTY
1	REFLECTOR		1
2	FLAME SCREEN		1
3	SUPPORT BAR - UPPER		4
4	MESH GUARD		4
5	GLASS TUBE		1
6	RUBBER RING		1
7	CHAIN (ASSEMBLED WITH DOOR)	 MODEL H1507 DOESN'T INCLUDE THIS PART	1
8	PLATE COVER		1
9	BURNER ASSEMBLY		
10	REAR PAENL OF TANK HOUSING		1
11	SUPPORT BAR – LOWER		4
12	SIDE PANEL OF TANK HOUSING		2
13	DOOR OF TANK HOUSING		1
14	BOTTOM PLATE		1

PART	PART NAME	PICTURE	QTY	DESCRIPTION
AA	M5 CAP NUT		4	TO CONNECT REFLECTOR AND FLAME SCREEN
BB	M5 CREWS & WASHER		44	M5 X 8 SCREW & M5 WASHER
CC	M5 F TAPPING SCREWS & WASHER		18	ST4.2X9.5 SELF TAPPING SCREWS & M5 WASHER

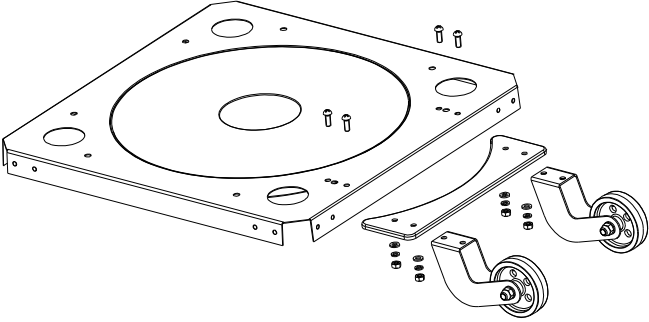
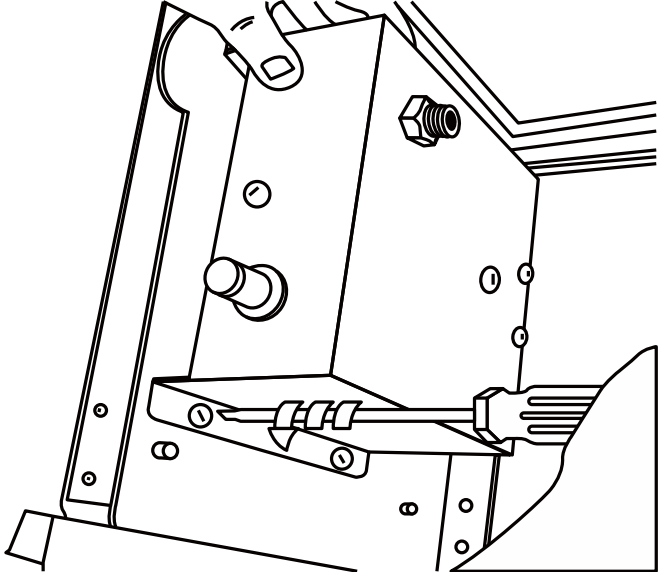
Note: Some of the fittings may be provided pre-attached to the unit.

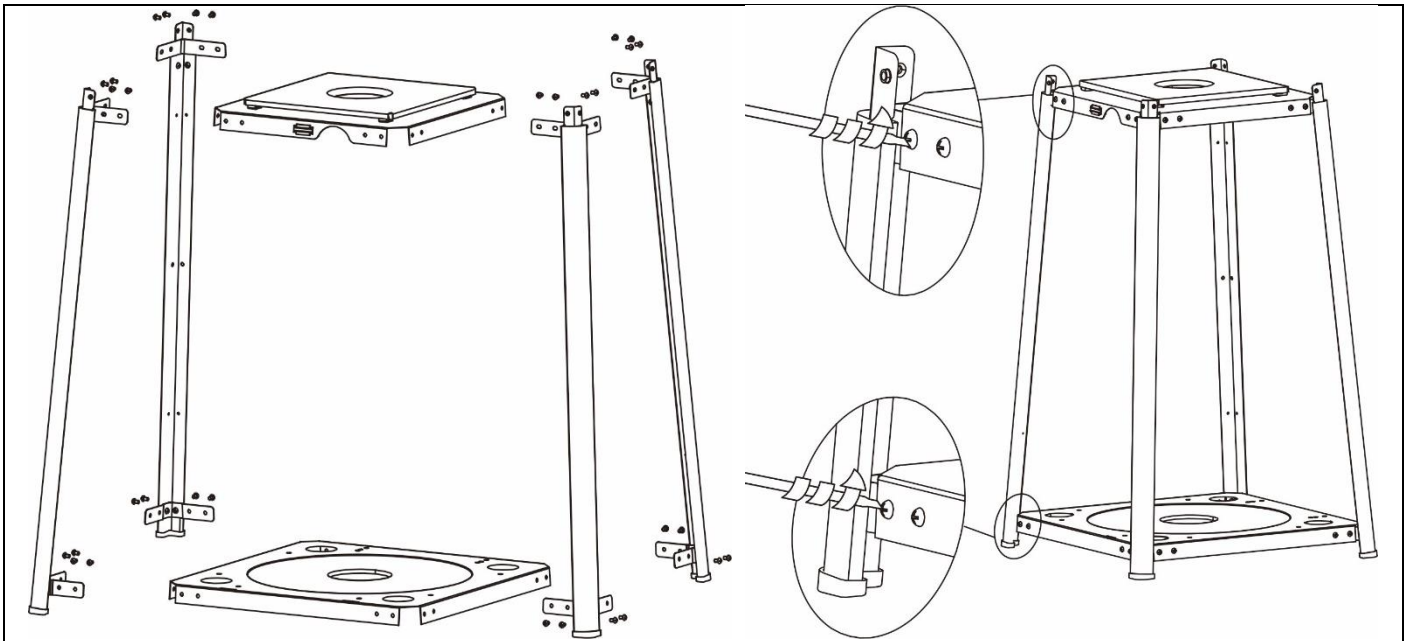
## PATIO HEATER ASSEMBLY

Required Tools: Philip Screwdriver / Adjustable Spanners / Wrenches

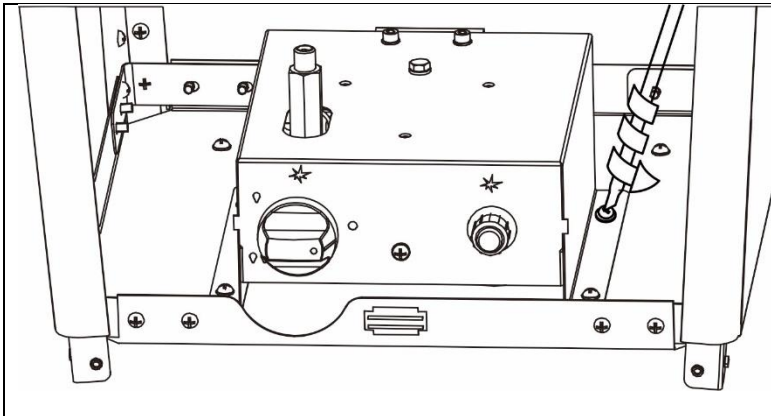
Leak Detection Solution: One-part detergent and three parts water

Before assembly, ensure all packing material and any transit protection is removed. Remove the door from the main body, and remove all the parts packed within it.

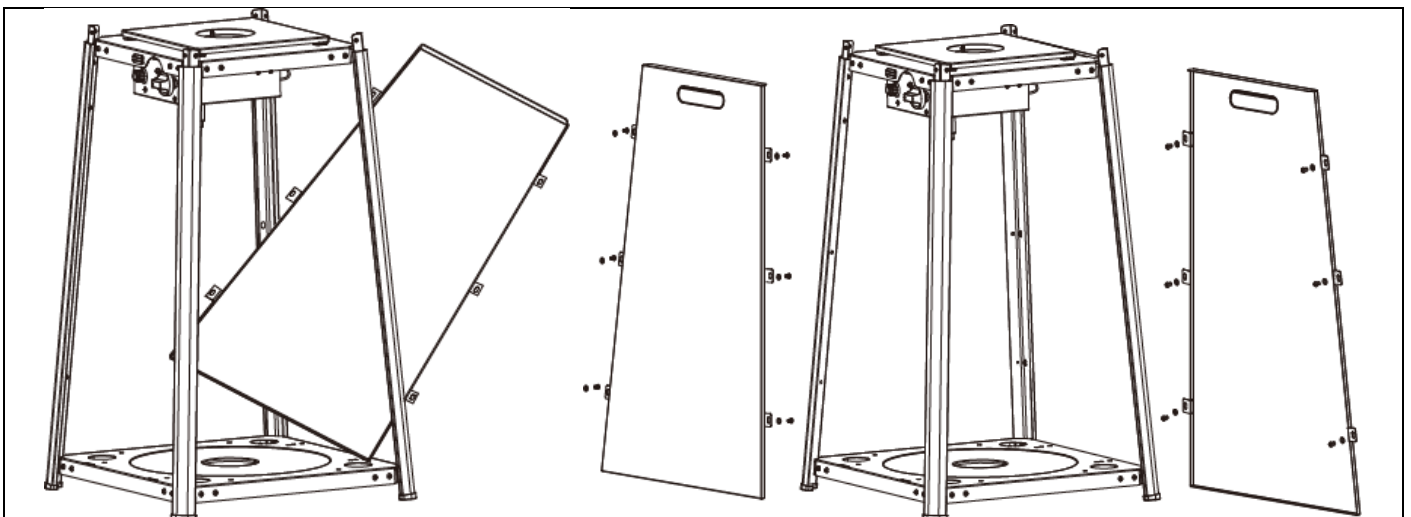
	
<p><b>STEP 1(Optional):</b> Connect the BRACKET (N) and WHEELS (M) to the base of the Main Body using the M6 SCREWS, WASHERS and NUTS (CC and DD)</p>	<p><b>STEP 2:</b> Keep the burner with the ignition side up. Fix the BURNER ASSEMBLY (J) to MAIN BODY (K) using 4 M5 SCREWS and WASHERS (BB).</p>



**STEP1:** Connect and fix the 4 Support Bar – Lower (1) to Bottom Plate (14) and Plate Cover (8) by 32PCS M5 screws and washers(BB)



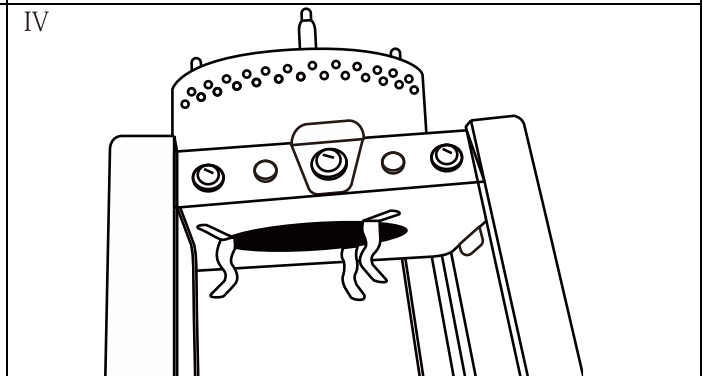
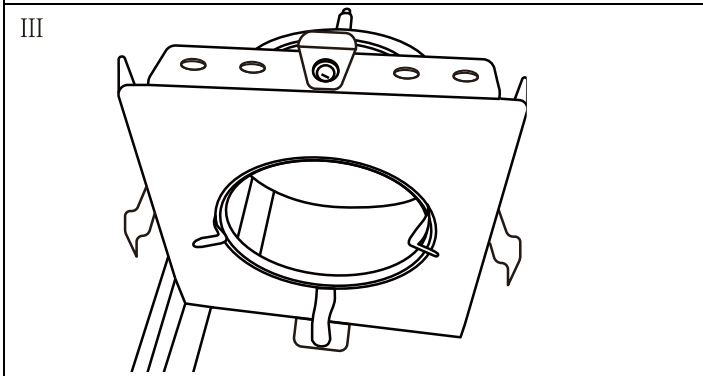
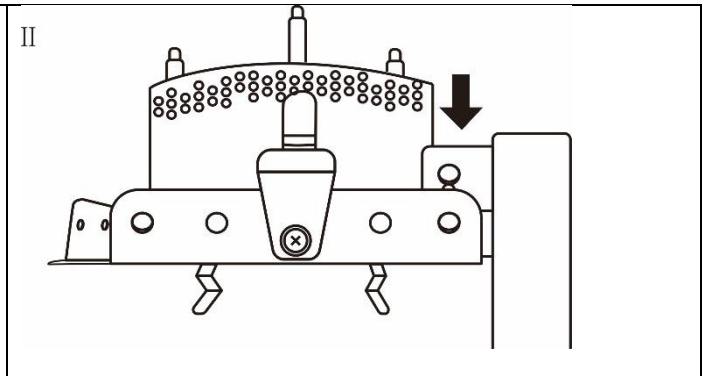
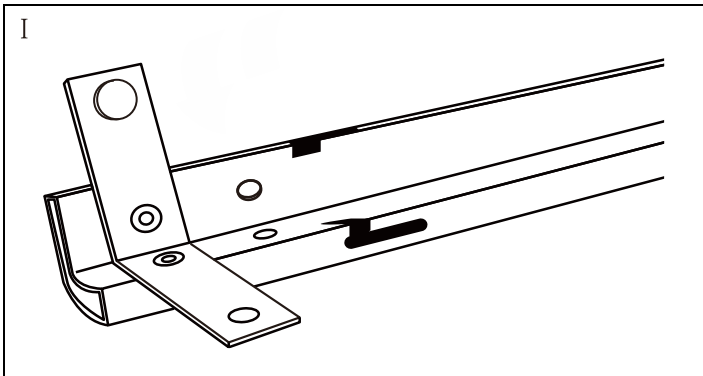
**STEP 2:** Lay down tank housing, fix the Burner Assembly (9) to Pate Cover (8) by 4pcs M5 Screws and Washers (BB).



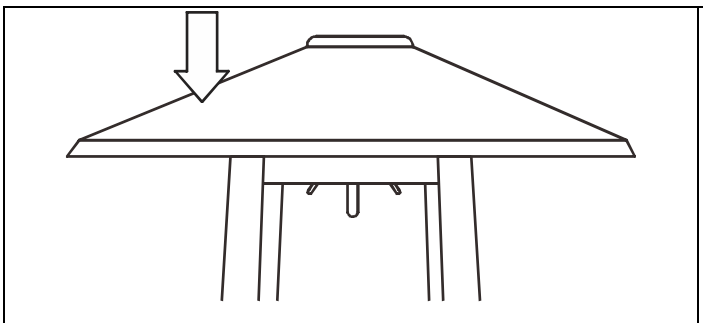
**STEP 3:** Obliquely insert and attach 2pcs Side Panels (12) and 1pc Rear Panel (10) into tank housing using 18pcs M5 self-tapping screws and washers (CC). Best affix two opposite sides first, fastening the screws diagonally.

**Note:** Do not close the door where is near to the control knob!

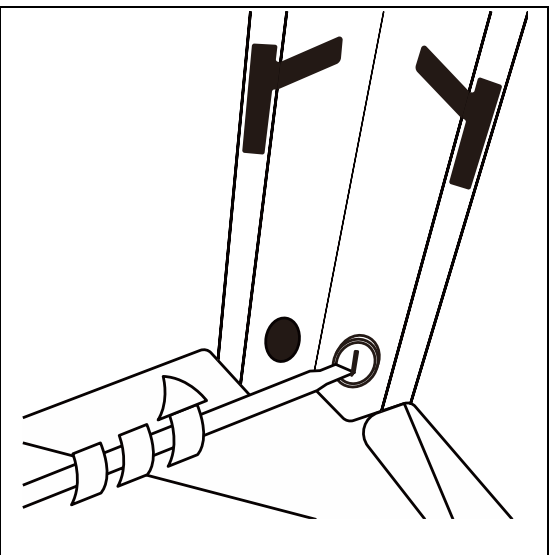
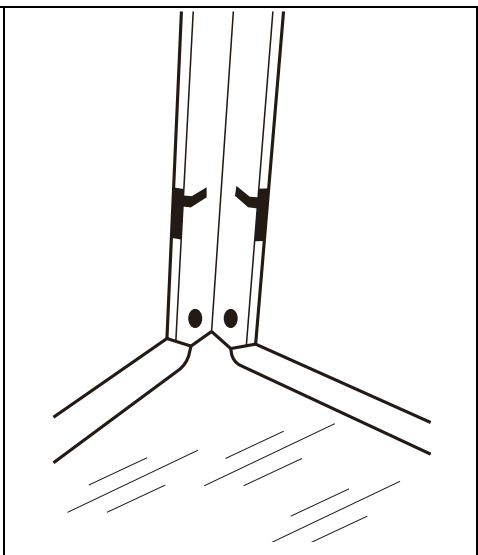
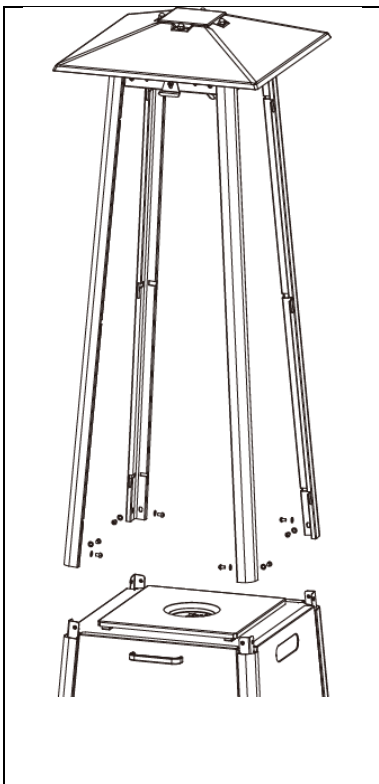




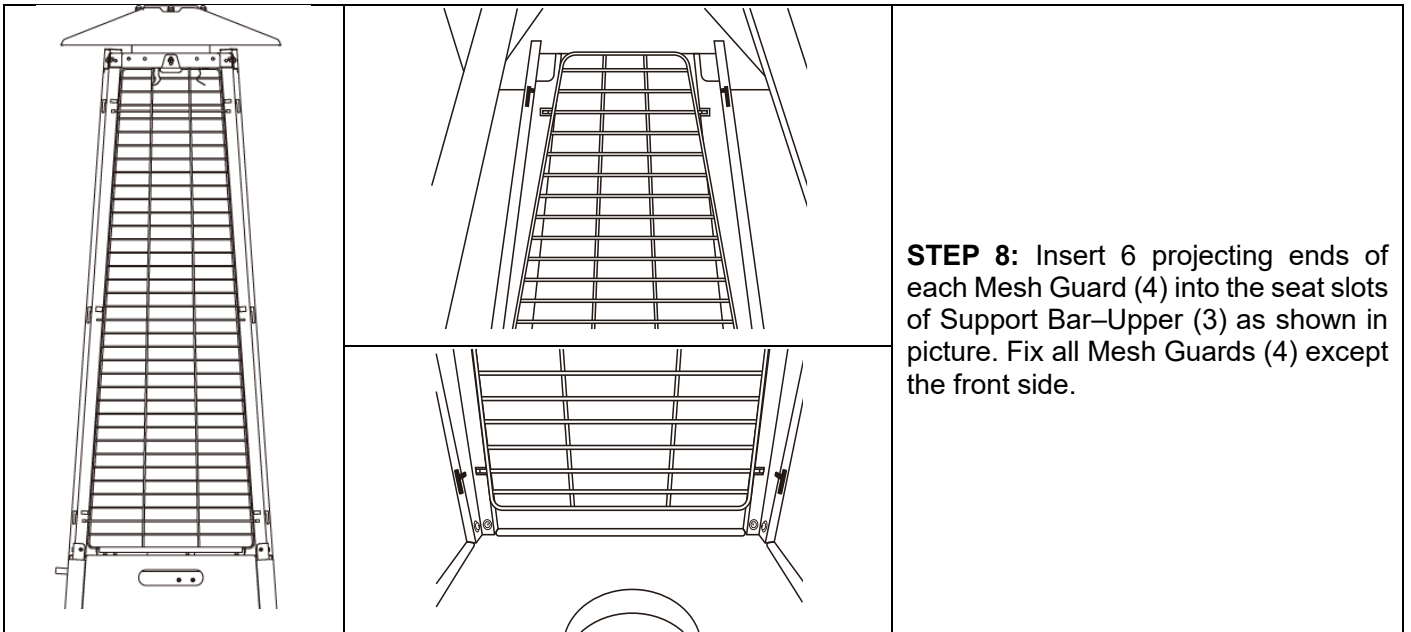
**STEP 5:** Attach Flame Screen (2) to the top of Support Bar-Upper (3) and fix the connection with 2pcs M5 screws and washers (BB), (See Figure I , II ).  
Repeat this step and connect Flame Screen (2) to other 3 sets Support Bars-Upper (3). (See Figure III, IV)



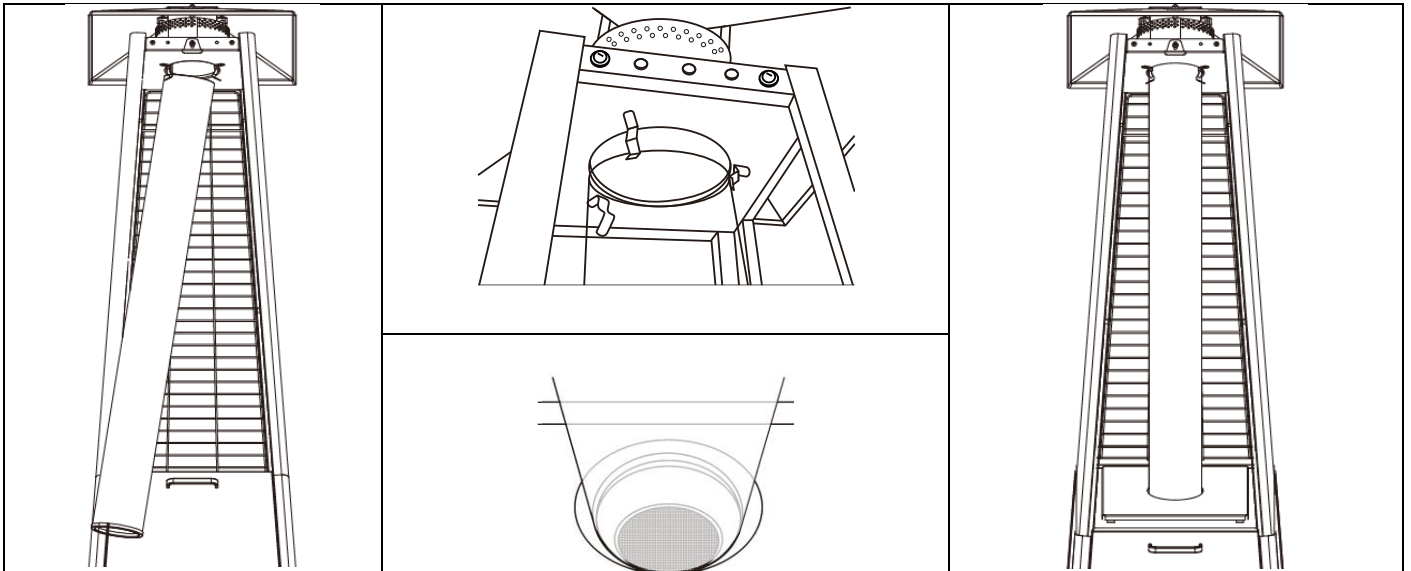
**STEP 6:** Place Reflector (1) on the Flame Screen (2) and fix the connection with 4pcs M5 CAP NUT (AA).



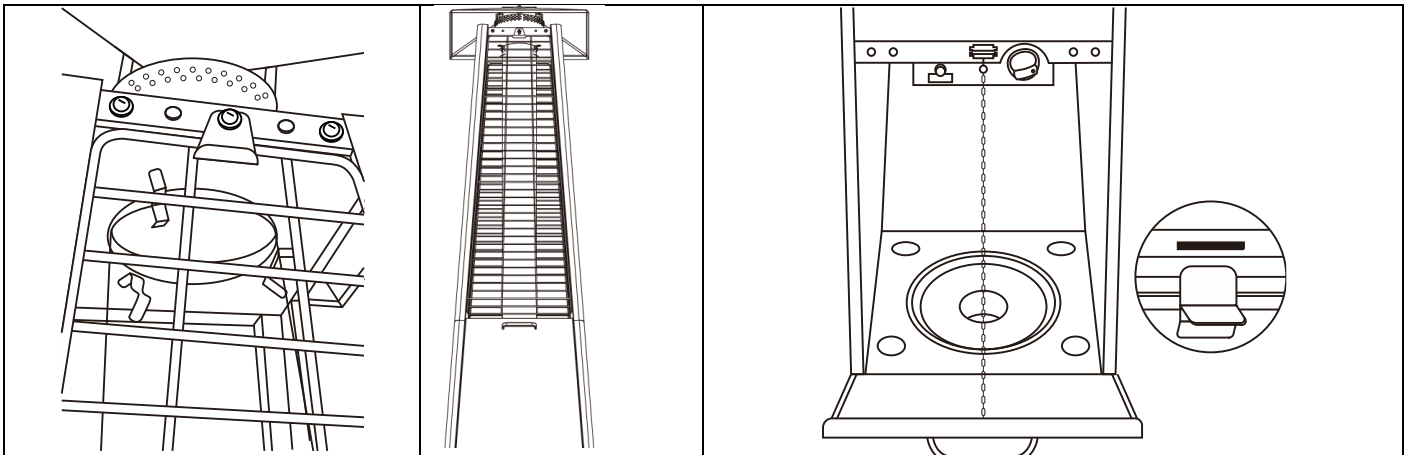
**STEP 7:** Place the whole upper parts to top of tank housing assembly. Make sure match the top ends of tank housing assembly with the bottom slot of Support Bar – Upper (3). Match the threaded holes and fix each connection with 2pcs M5 Screws and Washers (BB)



**STEP 8:** Insert 6 projecting ends of each Mesh Guard (4) into the seat slots of Support Bar–Upper (3) as shown in picture. Fix all Mesh Guards (4) except the front side.



**STEP 9:** Fix Rubber Ring (6) into the bottom of Glass Tube (5). Insert the top end of glass tube into the bottom hole of Flame Screen (2) as much as possible. Keep glass tube vertically and sit it in the hole of Plate Cover (8).  
**NOTE: GLASS TUBE IS FRAGILE PART, PLEASE HANDLE GLASS TUBE CAREFULLY AND SLOWLY!**



**STEP 10:** Assemble Mesh Guard (4) in the front. Loose 4pcs screws to keep 4pcs Guard Fastening Plates down and firmly in place.

**STEP 11:** Insert the feet of door into the bottom slots. Attach the Chain (7) to the hook of Burner Assembly (9) and close the door.  
**Note: Model H1507 doesn't take this Chain.**

## OPERATING INSTRUCTIONS

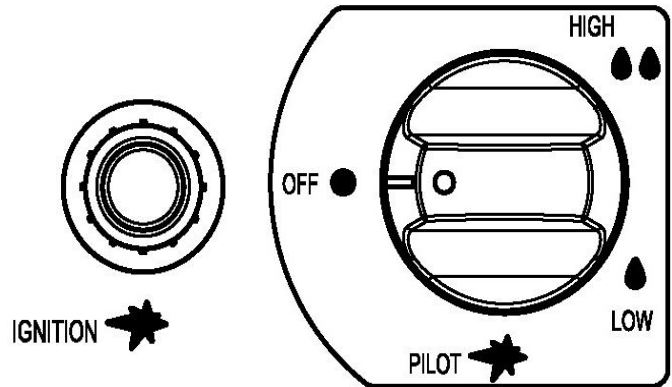
**BEFORE FIRST USE AND AFTER EVERY GAS CYLINDER CHANGE, GAS DELIVERY SYSTEM MUST BE PURGED OF AIR BEFORE IGNITING! TO DO THIS, TURN THE CONTROL DIAL ANTI-CLOCKWISE TO THE PILOT SETTING. PRESS THE DIAL IN AND HOLD FOR 1 MINUTE BEFORE ATTEMPTING IGNITION.**

### BATTERY REPLACEMENT

Remove the ignition cap from the BURNER ASSEMBLY (J) by turning cap counterclockwise. Install 1 AAA battery. The negative end of battery goes in first, then replace the ignition cap by turning the cap clockwise.

### TO LIGHT THE PILOT

- Check all connections prior to each use.
- Turn on the gas supply at source.
- Press and turn the control dial anti-clockwise to the **PILOT** marking.
- Hold the dial down and press the **IGNITION** button repeatedly until the pilot flame is lit, then continue to hold the dial down for 10 seconds until the pilot remains lit after releasing the dial.
- If the pilot fails to ignite, press and turn the dial clockwise to **OFF** before repeating the lighting steps.



### TO LIGHT THE PATIO HEATER

- The pilot should be lit and the dial set to **PILOT**.
- Hold the dial down and turn anti-clockwise to the **LOW** position.
- When the mesh glows, turn dial clockwise to select the desired heat output.

**Note: The burner may be noisy when initially turned on. To eliminate excessive noise from the burner, turn the control dial to the pilot position. Then turn the dial to the level of heat desired.**

### RE-LIGHTING

- Turn the Dial to the OFF position.
- Wait at least 5 minutes, to let gas dissipate, before attempting to re-light pilot.
- Repeat the "Lighting" steps.

### TO EXTINGUISH

- Hold the dial down and turn clockwise to the OFF position
- Turn off the valve on the gas cylinder or the regulator after use.
- Disconnect the gas bottle and allow this appliance to cool before moving the appliance.

**Note: After use, some discoloration of the emitter screen is normal. Turn off the regulator after use and allow the appliance to cool before moving.**

## LEAK TESTING

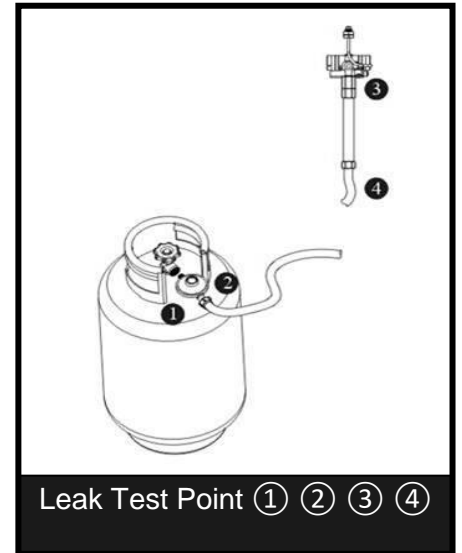
**NEVER USE A NAKED FLAME TO CHECK FOR LEAKS.**

**NEVER LEAK TEST WHILE SMOKING.**

The gas connections on this appliance are leak tested at the factory prior to shipment.

This appliance needs to be periodically checked for leaks and an immediate check is required if the smell of gas is detected.

- Make a soap solution using 1 part of liquid dish-washing soap to 3 parts water. The soap solution can be applied with a soap bottle, brush, or rag to the leak tested points shown in the figure above.
- The valve of the gas cylinder should be in the **OFF** position. Once the soapy solution is applied to the gas connections, the valve of the gas cylinder needs to be turned to the **ON** position.
- Soap bubbles will begin to form in the soapy solution if a leak is present.
- In case of a leak, turn off the gas supply. Tighten any leaking fittings, then turn the gas supply on and recheck.



## GAS REQUIREMENTS

- The regulator and hose assembly used must conform to local safety requirements.
- Never use a gas cylinder with a damaged body, valve, collar, or foot ring. A dented or rusty gas tank may be hazardous and should be checked by a gas supplier.
- Never connect this appliance to an unregulated gas source.
- When the appliance is not in use, turn the gas cylinder OFF, before disconnecting it.
- Always perform a leak test on gas connections whenever a cylinder is connected. If bubbles form in the leak test solution, do not use. Never use a flame to test for leaks.

## CONNECTING TO A GAS CYLINDER

- Use a 9 kg gas cylinder. Please refer to your gas supplier for suitable gas cylinder.
- Refer to your gas supplier for instructions on the use of your gas cylinder.
- Only change gas cylinders outdoors or in a well-ventilated area away from naked flames and any other source of ignition.
- The gas cylinder must always be used in an upright position.
- Close the heater control dial by turning fully clockwise.
- Close the gas cylinder tap and then attach the regulator onto the gas cylinder.
- Tighten all connections firmly and with a spanner where appropriate. The cylinder should be located on the cylinder base.
- Check for leaks at all joints using soapy water. If a leak is found, tighten the joint and then re-test.

## MAINTENANCE

To enjoy years of outstanding performance from your heater, make sure you perform the following maintenance activities on a regular basis:

- Keep exterior surfaces clean.
- Use warm soapy water for cleaning. Never use flammable or corrosive cleaning agents.
- While washing your unit, be sure to keep the area around the burner and pilot assembly dry at all times. If the gas control is exposed to water in any way, **DO NOT** try to use it. It must be replaced.
- Airflow must be unobstructed. Keep controls, burner and circulation air passageways clean. Signs of possible blockage include:
  - Gas odour with extreme yellow tipping of flame.
  - Heater does **NOT** reach the desired temperature.
  - Heater glow is excessively uneven.
  - Heater makes popping noises.
- Spiders and insects can nest in burner or orifices. This dangerous condition can damage the heater and render it unsafe for use. Clean burner holes by using a heavy-duty pipe cleaner. Compressed air may help clear away smaller particles.
- Carbon deposits may create a fire hazard. If any carbon deposits develop, clean the dome and burner with warm soapy water.

**Note: In environments with a high salt content (such as near the sea), corrosion occurs more quickly than normal. Frequently check the corroded areas and repair them.**

## SERVICING

- Please consult your supplier for servicing this appliance and replacement of its parts. The servicing of the appliance shall be carried out only by authorised personnel.
- Do not use unauthorised parts or components for this appliance, only use original equipment replacement parts and components. The use of unauthorised parts or components will void the warranty and can create unsafe condition.

## STORAGE

**There is no limitation on the storage of the appliance indoors provided that the cylinder is disconnected and removed from the appliance.**

Between uses or before storage:

- Turn the control dial OFF
- Turn the gas cylinder OFF
- Disconnect the gas bottle.


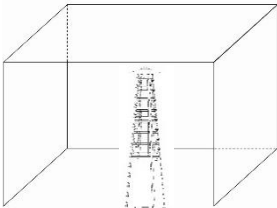
Store the heater upright in an area sheltered from direct contact with inclement weather (such as rain, sleet, hail, snow, dust and debris). If desired, cover to protect exterior surfaces and to prevent build up in air passages.

**Note: Wait until heater is cool before covering.**

## TROUBLESHOOTING

PROBLEM	CONDITION	FIX
<b>Pilot won't light</b>	Cylinder valve is closed	Open valve
	Blockage in orifice or pilot tube	Clean or replace orifice or pilot tube
	Air in the gas line	Open gas line and bleed it (pressing control dial in) for not more than 1-2 minutes or until you smell gas
	Low gas pressure	Gas cylinder low or empty
	Ignition fails	Change the Battery
<b>Pilot won't stay lit</b>	Dirt build up around the pilot	Clean dirt from around the pilot
	Connection between the gas valve and pilot assembly is loose	Tighten the connection and perform a leak test
	Bad thermocouple	Replace the thermocouple
<b>Burner won't light</b>	Gas pressure is low	Replace the gas cylinder
	Blockage in the orifice	Clear the blockage
	Control dial is not in the "HIGH" position	Turn control dial to the "HIGH" position
<b>Burner flame is low</b> <i>Note: Do not operate heater below 5°C(40°F)</i>	Gas pressure is low	Replace the gas cylinder
	Tank is almost empty.	Replace the gas cylinder
	Supply hose is bent or kinked	Straighten hose and perform leak test on the hose
	Control dial is fully " ON"	Turn control dial to "OFF", let it cool to room temperature and check burner and orifices for blockage
<b>Emitter glows uneven</b> <i>Note: Bottom 2.5cm of emitter does not normally glow</i>	Gas pressure is low	Replace the gas cylinder
	Base is not on a level surface	Place heater on a level surface
	Heater not level	Level the heater
<b>Carbon build-up</b>	Dirt or film on the reflector and/or emitter	Clean the reflector and emitter
<b>Thick black smoke</b>	Blockage in burner	Turn the control dial to the <b>OFF</b> position, let it cool to room temperature and remove blockage and clean burner inside and outside.

## TECHNICAL SPECIFICATIONS

Model: EQODHFTSS, EQODHFTBL Heat input $\sum Q_n(H_s)=11.2kW$ Consumption: 815g/h PIN: 0063CO7365						
Country Code	CH-ES-FR-GB-GR-IE-IT-PT	BE-CY-CZ-DK-EE-FI-GR-IT-LT-LV-MT-NL-NO-SE-SI-SK-BG-RO-TR	AT-CH-DE	PL	CZ-FR-GB-GR-IE-PT	AT-CH-DE-NL
Gas Category	I <sub>3+</sub> (28-30/37)	I <sub>3B/P</sub> (30)	I <sub>3B/P</sub> (50)	I <sub>3B/P</sub> (37)	I <sub>3P</sub> (37)	I <sub>3P</sub> (50)
Type of Gas	Butane / Propane	Propane	Butane/Propane / Mixture	Butane/Propane / Mixture	Butane/Propane / Mixture	Propane
Gas pressure	28-30mbar	37mbar	30mbar	50mbar	37mbar	37mbar
Injector Marking	1.6	1.6	1.4	1.5	1.6	1.5
<p><b>Warning</b>          Read the instructions before using this appliance.          The appliance must be installed in accordance with instructions and local regulations.          The use of this appliance in enclosed areas can be dangerous and is PROHIBITED.          For use outdoors or in amply ventilated areas.          An amply ventilated area must have a minimum of 25% of the surface area open.          The surface area is the sum of the walls surface.</p>						

## electriQ UK SUPPORT

[www.electriQ.co.uk/support](http://www.electriQ.co.uk/support)

Call: 0330 390 3061 or complete the online form

Office hours: 9AM - 5PM Monday to Friday

[www.electriQ.co.uk](http://www.electriQ.co.uk)

Unit J6, Lowfields Business Park

Lowfields Way, Elland

West Yorkshire, HX5 9DA